



Short Description



- Nickel plated alloy steel IP67, “S” type load cell
- Tension and compression applications
- Suitable for hanging, hopper and other weighing devices
- Also available in imperial capacities and dimensions



Test certificate no. D09-03.18 Rev. 1
C of C no R60/2000-CNI-00.01



Certificate no. 06-099A1

Available Models

Capacity	Accuracy	Full Article Description
25kg	C3 Excluded from OIML	H3-C3-25kg-3B
50kg	C3 Excluded from OIML	H3-C3-50kg-3B
100kg	C3/C4	H3-C3/C4-100kg-3B
150kg	C3/C4	H3-C3/C4-150kg-3B
200kg	C3/C4	H3-C3/C4-200kg-3B
250kg	C3/C4	H3-C3/C4-250kg-3B
300kg	C3/C4	H3-C3/C4-300kg-3B
500kg	C3/C4	H3-C3/C4-500kg-3B
600kg	C3/C4	H3-C3/C4-600kg-3B
750kg	C3/C4	H3-C3/C4-750kg-3B
1t	C3/C4	H3-C3/C4-1t-3B
1.5t	C3/C4	H3-C3/C4-1.5t-3B
2t	C3/C4	H3-C3/C4-2t-6B
2.5t	C3/C4	H3-C3/C4-2.5t-6B
3t	C3 Excluded from OIML	H3-C3-3t-6B
5t	C3 Excluded from OIML	H3-C3-5t-6B
7.5t	C3 Excluded from OIML	H3-C3-7.5t-6B
10t	C3 Excluded from OIML	H3-C3-10t-6B
15t	C3 Excluded from OIML	H3-C3-15t-6B
20t	C3 Excluded from OIML	H3-C3-20t-6B
30t	C3 Excluded from OIML	H3-C3-30t-6B

Specifications and dimensions are subject to change without notice and do not constitute any liability whatsoever.

Technical Specifications H3

Accuracy Class		OIML R60 C3	OIML R60 C4	C3
Output Sensitivity (= FS)	mV/V	2.0 ± 0.004		
Maximum Capacity (E _{max})	t	0.1, 0.15, 0.2, 0.25, 0.3, 0.5, 0.6, 0.75, 1, 1.5, 2, 2.5		0.025, 0.05, 3.0, 5.0, 7.5, 10, 15, 20, 30
Max. Number of Load Cell Intervals	n _{LC}	3000	4000	3000
Ratio of min. LC Verification Interval	Y = E _{max} / V _{min}	10000	20000	10000
Combined Error	%FS	≤± 0.020	≤± 0.018	≤± 0.020
Creep Error (30 minutes)	%FS	≤± 0.016	≤± 0.012	≤± 0.016
Temperature Effect on Zero (ZTC)	%FS/10°C	≤± 0.015	≤± 0.010	≤± 0.015
Temperature Effect on Sensitivity (STC)	%FS/10°C	≤± 0.011	≤± 0.009	≤± 0.011
Zero Balance	%FS	≤± 1.5		
Safe Overload	%FS	150		
Ultimate Overload	%FS	300		
Excitation, Recommended Voltage	V	5 ~ 12		
Excitation, Maximum Voltage	V	18		
Input Resistance	Ω	350 ± 3.5		
Output Resistance	Ω	351 ± 2.0		
Insulation Resistance (50V)	MΩ	≥5000		
Compensated Temperature	°C	-10 ~ + 40		
Operating Temperature	°C	-35 ~ + 65		
Storage Temperature	°C	-40 ~ + 70		
Element Material		Nickel plated alloy steel		
Ingress Protection (acc. to EN 60529)		IP67		
Recommended Torque on Fixation Bolts	Nm	M8:25	M10:50	M12:75 M20:400 M33:1800 M42:3600
ATEX classification (optional)		II 1G Ex ia IIC T4 Ga	II 1D Ex ia IIIC T ₂₀₀ 135°C Da	II 3G Ex ic IIC T4 Gc

Wiring

Features:

Cable type: Shielded, 4 conductor cable , conductor AWG 22

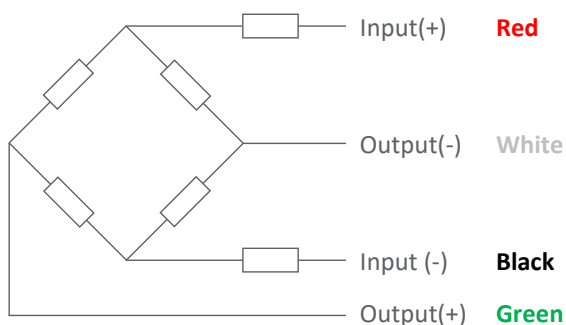
Cable diameter: Ø 5.0mm

Cable length: 3m for 25kg – 1.5t, 6m for 2t – 30t

Cable jacket: Polyurethane

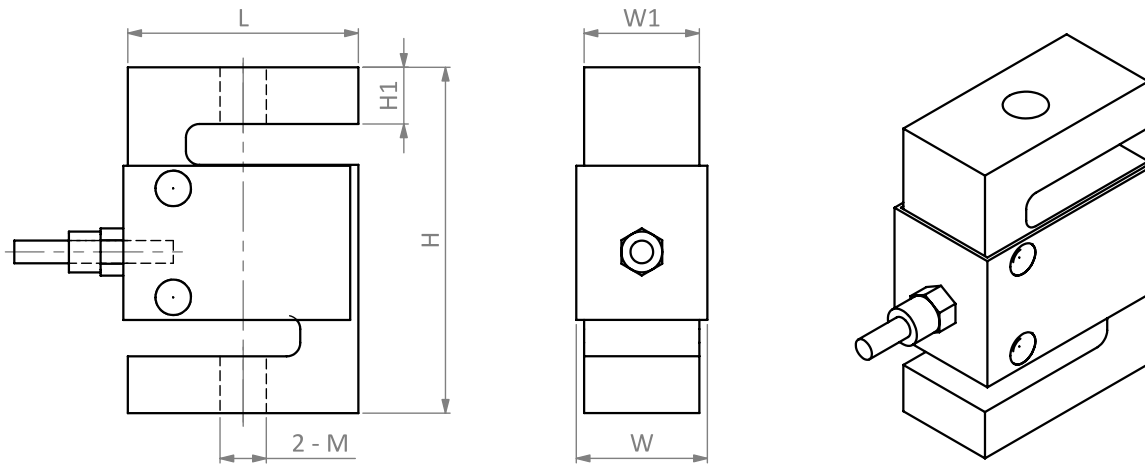
Shield not connected to element

4-Wire Connection Diagram

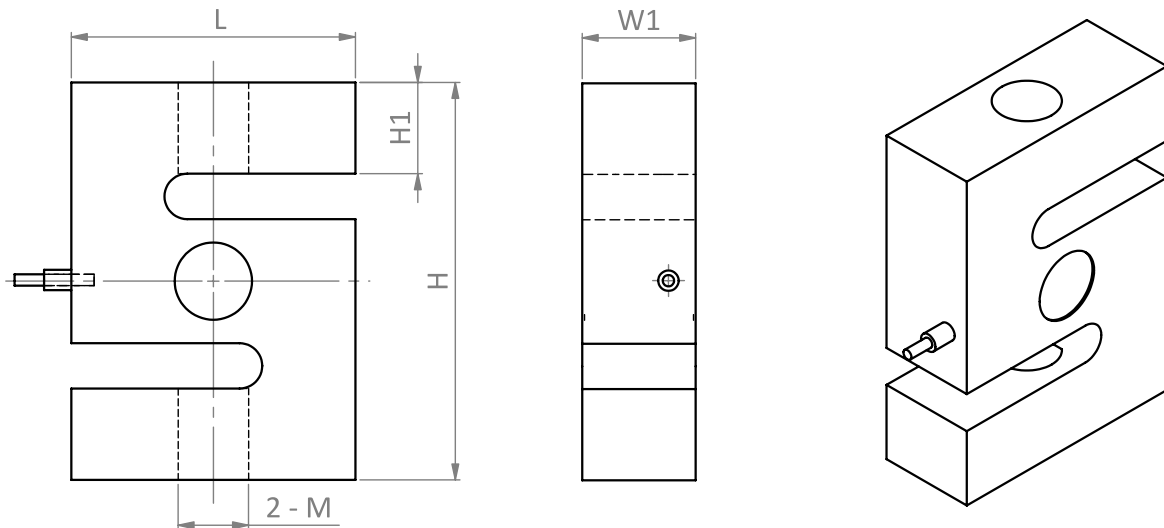


Dimensions in mm

25kg – 5t



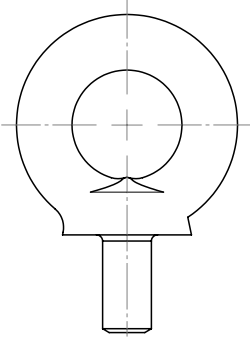
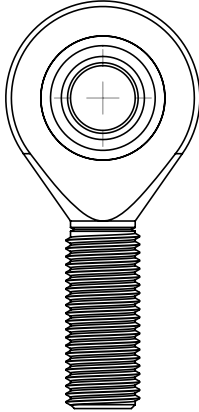
7.5t – 30t



Capacity \ Dimension	L	H	W1	W	H1	M
25 – 50kg	50.8	76.2	12.7	14.5	15.7	M8 x 1.25
100 – 150kg	50.8	76.2	19.0	22.4	15.3	M10 x 1.5
200 – 750kg	50.8	76.2	19.0	22.4	14.4	M12 x 1.75
1 – 1.5t	50.8	76.2	25.4	28.8	12.5	M12 x 1.75
2 – 5t	76.2	101.6	25.4	28.8	20	M20 x 1.5
7.5 – 10t	125	175	50	-	40.2	M33 x 3
15 – 20t	160	200	60	-	51	M42 x 3
30t	190	230	80	-	57.5	M42 x 3

Specifications and dimensions are subject to change without notice and do not constitute any liability whatsoever.

Available Accessories

<p>HL-3-002-25kg – 5t Eye Bolt</p> <ul style="list-style-type: none">• Alloy Steel• Suitable for hybrid scales, crane scales, packaging scales and hopper scales	
<p>HL-3-003-25kg – 5t Rod End</p> <ul style="list-style-type: none">• Alloy Steel• Suitable for hybrid scales, crane scales, packaging scales, hopper scales and other electronic weighing devices	
<p>HL-3-005-25kg – 5t Eye Bolt Fork Joint</p> <ul style="list-style-type: none">• Alloy Steel• Suitable for hybrid scales, crane scales, packaging scales, hopper scales and other electronic weighing devices	