



Short Description



- Nickel plated alloy steel IP67 spoke type load cell
- High accuracy
- Suitable for hanging, hopper and other electronic weighing devices

Available Models

| Capacity | Accuracy | Full Article Description |
|----------|----------|--------------------------|
| 1t | C1/C2/C3 | H2F-C1/C2/C3-1t-3T6 |
| 2t | C1/C2/C3 | H2F-C1/C2/C3-2t-3T6 |
| 3t | C1/C2/C3 | H2F-C1/C2/C3-3t-3T6 |
| 5t | C1/C2 | H2F-C1/C2-5t-4T6 |
| 10t | C1 | H2F-C1-10t-4T6 |
| 10t | C2 | H2F-C2-10t-5T6 |
| 15t | C1 | H2F-C1-15t-5T6 |
| 20t | C1 | H2F-C1-20t-5T6 |
| 30t | C1 | H2F-C1-30t-5T6 |
| 50t | C1 | H2F-C1-50t-5T6 |

Specifications and dimensions are subject to change without notice and do not constitute any liability whatsoever.

Technical Specifications H2F

| Accuracy Class | | C1 | C2 | C3 | | | |
|---|-------------------------|--------------------------------|----------------|-------------|--------------|--------------|--------------|
| Output Sensitivity (= FS) | mV/V | 2.0 ± 0.01 | | | | | |
| Maximum Capacity (E _{max}) | t | 1, 2, 3, 5, 10, 15, 20, 30, 50 | 1, 2, 3, 5, 10 | 1, 2, 3 | | | |
| Max. Number of Load Cell Intervals | n _{LC} | 1000 | 2000 | 3000 | | | |
| Ratio of min. LC Verification Interval | $Y = E_{max} / V_{min}$ | 3000 | 5000 | 7500 | | | |
| Combined Error | %FS | ≤± 0.050 | ≤± 0.030 | ≤± 0.020 | | | |
| Creep Error (30 minutes) | %FS | ≤± 0.038 | ≤± 0.023 | ≤± 0.016 | | | |
| Temperature Effect on Zero (ZTC) | %FS/10°C | ≤± 0.047 | ≤± 0.029 | ≤± 0.011 | | | |
| Temperature Effect on Sensitivity (STC) | %FS/10°C | ≤± 0.028 | ≤± 0.017 | ≤± 0.019 | | | |
| Zero Balance | %FS | ≤± 1.0 | | | | | |
| Safe Overload | %FS | 150 | | | | | |
| Ultimate Overload | %FS | 300 | | | | | |
| Excitation, Recommended Voltage | V | 5 ~ 12 | | | | | |
| Excitation, Maximum Voltage | V | 18 | | | | | |
| Input Resistance | Ω | 770 ± 30 | | | | | |
| Output Resistance | Ω | 700 ± 7 | | | | | |
| Insulation Resistance (50V) | MΩ | ≥5000 | | | | | |
| Compensated Temperature | °C | -10 ~ + 40 | | | | | |
| Operating Temperature | °C | -35 ~ + 65 | | | | | |
| Storage Temperature | °C | -40 ~ + 70 | | | | | |
| Load Cell Weight | kg | 1t - 5t: ~2.2 | 10t: 6.2 | 15t: 7.5 | 20t: 11.2 | 30t: 16.5 | 50t: 21.5 |
| Element Material | | Alloy Steel | | | | | |
| Ingress Protection (acc. to EN 60529) | | IP67 | | | | | |
| Recommended Torque on Fixation Bolts | Nm | M8: 25 | M10: 50 | M12: 75 | | | |

Wiring

Features:

Cable type: Shielded, 6 conductor cable , conductor AWG 24

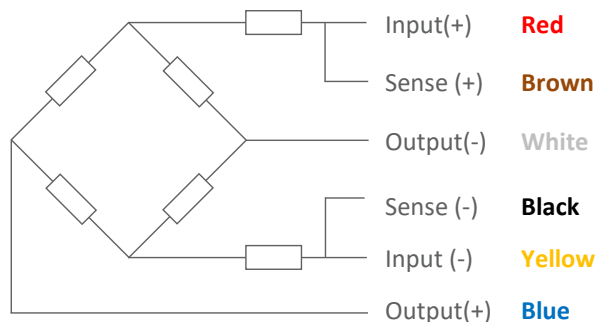
Cable diameter: Ø 5.0mm

Cable length: 1t – 3t: 3m, 5t – 10t: 4m, 15t – 50t: 5m

Cable jacket: PVC

Shield not connected to element

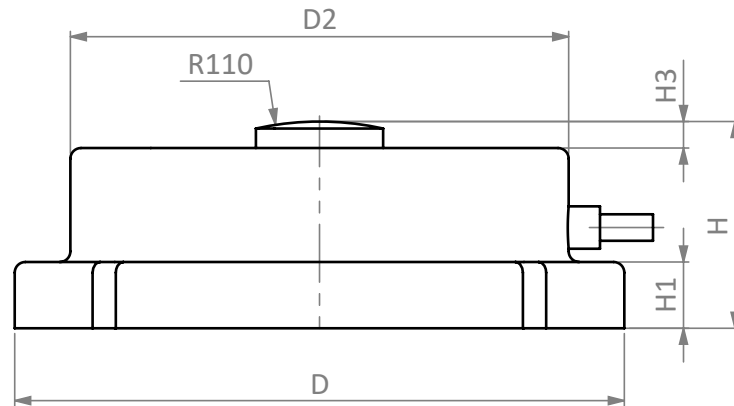
6-Wire Connection Diagram



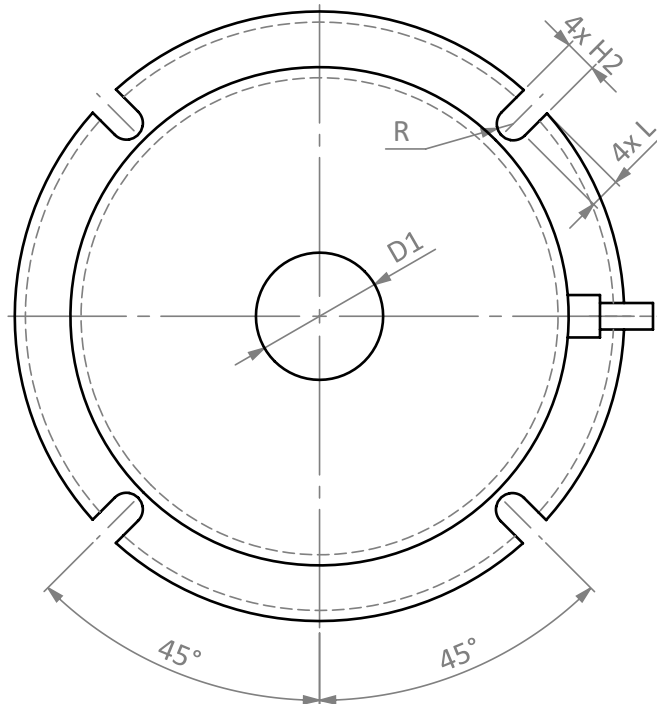
Specifications and dimensions are subject to change without notice and do not constitute any liability whatsoever.

Dimensions in mm

Front View



Top View



| Dimension Capacity | D | D1 | D2 | H | H1 | H2 | H3 | L | R |
|-----------------------|-----|----|-----|----|----|------|----|----|-----|
| 1t | 115 | 22 | 86 | 43 | 12 | 8.4 | 5 | 8 | 4.2 |
| 2t | 120 | 26 | 90 | 45 | 12 | 8.4 | 5 | 8 | 4.2 |
| 3t | 128 | 20 | 100 | 46 | 8 | 10.4 | 5 | 7 | 5.2 |
| 5t | 128 | 20 | 100 | 46 | 8 | 10.4 | 5 | 7 | 5.2 |
| 10t | 160 | 40 | 120 | 63 | 15 | 10.4 | 10 | 10 | 5.2 |
| 15t | 194 | 42 | 154 | 68 | 20 | 12.4 | 10 | 12 | 6.2 |
| 20t | 220 | 44 | 170 | 73 | 22 | 12.4 | 10 | 12 | 6.2 |
| 30t | 230 | 48 | 188 | 78 | 25 | 12.4 | 10 | 12 | 6.2 |
| 50t | 264 | 52 | 214 | 90 | 30 | 12.4 | 10 | 12 | 6.2 |

Specifications and dimensions are subject to change without notice and do not constitute any liability whatsoever.

Available Accessories

HM-2-401-1t-50t

- Nickel Plated Alloy steel
- Easy Installation
- Lift-off Protection
- Built-in Horizontal Movement Control

