



## Short Description

- Stainless steel IP68 low profile load cell
- Hermetically sealed
- Suitable for hopper, platform and pallet scales
- Integrated static overload protection up to 13t



Test certificate no. TC7865 Revision 1  
C of C no R60/2000-NL1-11.21



Certificate no. 11-103A1

## Available Models

Capacity	Accuracy	Full Article Description
60kg	C3/C4/C5	BM24R-C3/C4/C5-60kg-3G
130kg	C3/C4/C5	BM24R-C3/C4/C5-130kg-3G
250kg	C3/C4/C5	BM24R-C3/C4/C5-250kg-3G
280kg	C3/C4/C5	BM24R-C3/C4/C5-280kg-3G
500kg	C3/C4/C5/C6	BM24R-C3/C4/C5/C6-500kg-3G
1t	C3/C4/C5/C6	BM24R-C3/C4/C5/C6-1t-3G
2t	C3/C4/C5/C6	BM24R-C3/C4/C5/C6-2t-6G
3.5t	C3/C4/C5	BM24R-C3/C4/C5-3.5t-6G
5t	C3/C4/C5	BM24R-C3/C4/C5-5t-6G
10t	C3/C4/C5	BM24R-C3/C4/C5-10t-15G
13t	C3/C4/C5	BM24R-C3/C4/C5-13t-15G
28t	C3/C4/C5	BM24R-C3/C4/C5-28t-15G
60t	C3/C4/C5	BM24R-C3/C4/C5-60t-15G

Specifications and dimensions are subject to change without notice and do not constitute any liability whatsoever.

## Technical Specifications BM24R

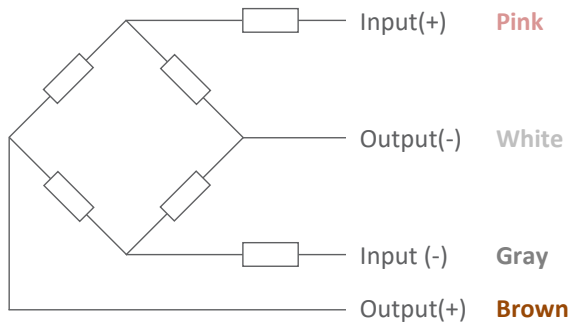
Accuracy Class		OIML R60 C3 / OIML R60 C4 / OIML R60 C5 / OIML R60 C6					
Output Sensitivity (= FS)	mV/V	1.0±0.01	1.75±0.2	2.0±0.1			
Maximum Capacity ( E <sub>max</sub> )	t	0.06, 0.13, 0.28	0.25	0,5, 1, 2, 3.5, 5, 10	13	28	60
Max. Number of Load Cell Intervals	n <sub>LC</sub>	C3 = 3000	C4 = 4000	C5 = 5000	C6 = 6000		
Ratio of min. LC Verification Interval	Y = E <sub>max</sub> / V <sub>min</sub>	10000	14000	16000	18000		
Combined Error	%FS	≤± 0.0230	≤± 0.0173	≤± 0.0140	≤± 0.012		
Creep Error (30 minutes)	%FS	≤± 0.0245	≤± 0.0184	≤± 0.0147	≤± 0.012		
Temperature Effect on Zero	%FS/10°C	≤± 0.0150	≤± 0.0110	≤± 0.0088	≤± 0.0077		
Temperature Effect on Sensitivity	%FS/10°C	≤± 0.0117	≤± 0.0088	≤± 0.0070	≤± 0.0058		
Zero Balance	%FS	≤± 1.0					
Minimum Dead load	%FS	0					
Safe Overload	%FS	150					
Ultimate Overload	%FS	300					
Excitation, Recommended Voltage	V (DC)	5 ~ 12					
Excitation, Maximum Voltage	V (DC)	18					
Input Resistance	Ω	1260 ± 100	1100 ± 100	1100 ± 100	1200 ± 100	1075 ± 100	1350 ± 200
Output Resistance	Ω	1020 ± 0.5	1025 ± 25	1025 ± 25	1000 ± 0.5	930 ± 0.5	1175 ± 0.5
Insulation Resistance (50VDC)	MΩ	≥5000					
Compensated Temperature	°C	-10 ~ + 40					
Operating Temperature	°C	-35 ~ + 70					
Storage Temperature	°C	-40 ~ + 70					
Load Cell Weight	kg	~0.6 – 6.7					
Element Material		Stainless Steel					
Ingress Protection (acc. to EN 60529)		IP68					
Recommended Torque on Fixation	Nm	M5: 3.5			M6: 10		
ATEX Classification (optional)		IECEx, II 1 G Ex ia IIC T4 Ga, II 1 D Ex ia IIIC T73 °C Da, II 3 G Ex ic IIC T4 Gc, II 3 G Ex nA IIC T4 Gc, II 3D Ex tc IIIC T63 °C Dc					

## Wiring

### Features:

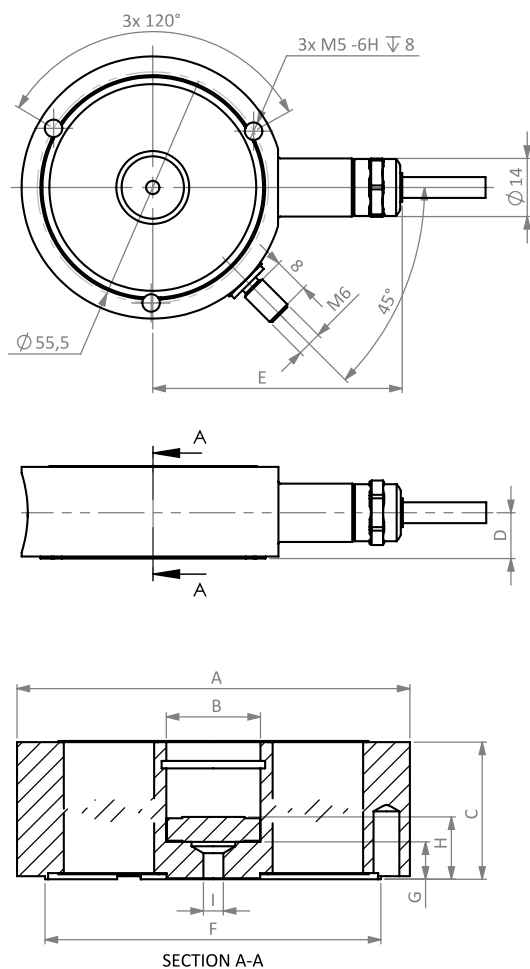
Cable type: Shielded, 4 conductor cable , conductor AWG 24  
 Cable diameter:  $\varnothing 6.2\text{mm} \pm 0.1\text{mm}$   
 Cable length: 60kg – 1t: 3m, 2t – 5t: 6m, 10t – 60t: 15m  
 Cable jacket: Polyurethane  
 Shield connected to element

### 4-Wire Connection Diagram

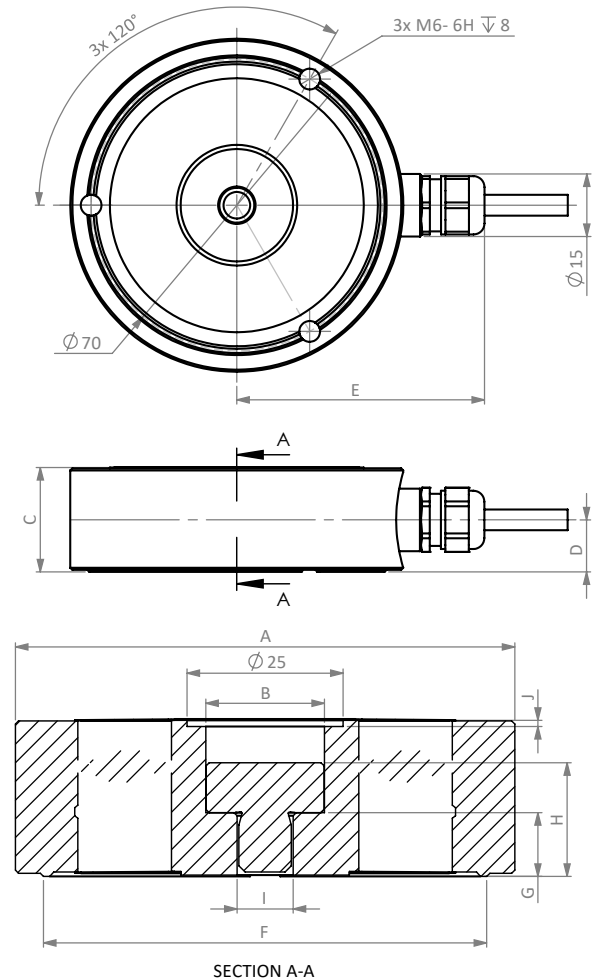


## Dimensions in mm

### 0.06, 0.13, 0.28t



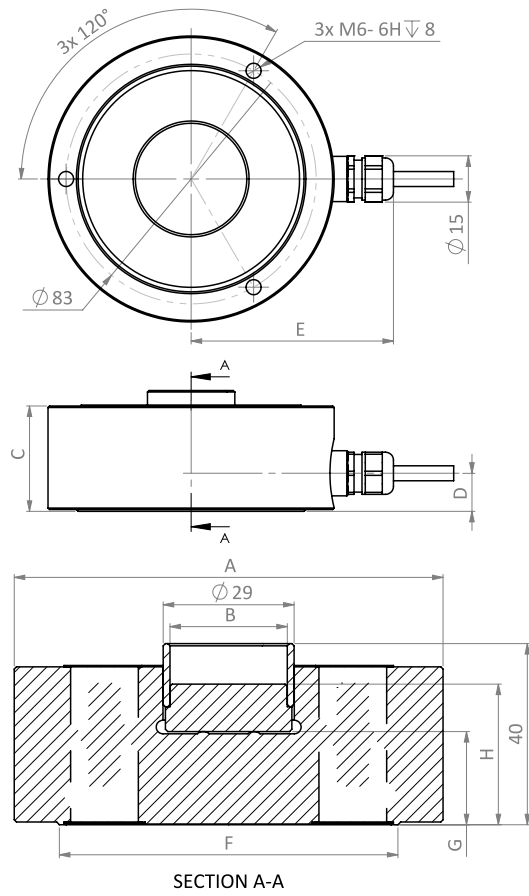
### 0.25, 0.5, 1, 2, 3.5, 5t



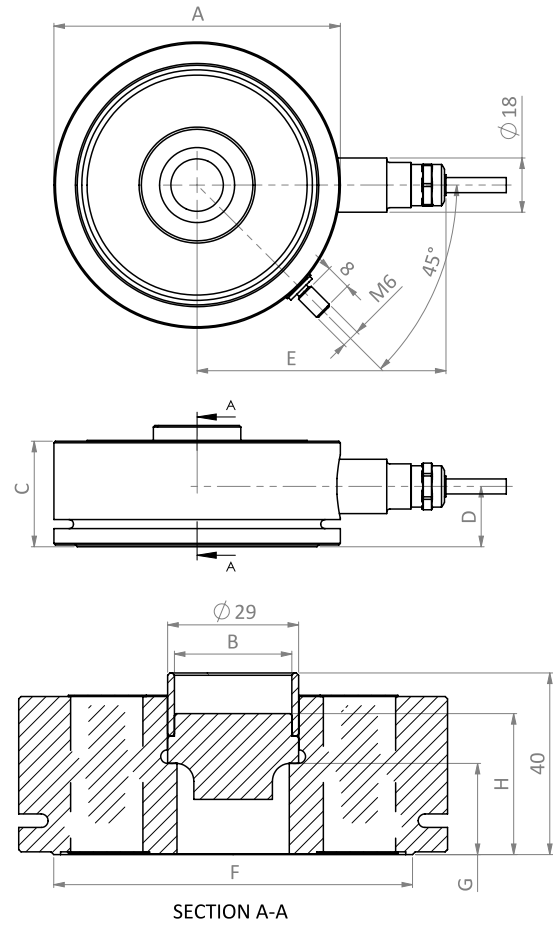
Specifications and dimensions are subject to change without notice and do not constitute any liability whatsoever.

## Dimensions in mm

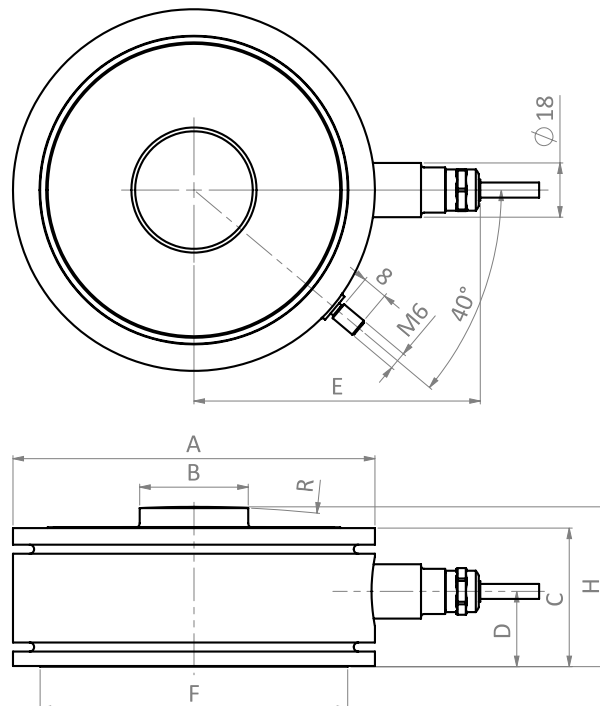
10t



13t



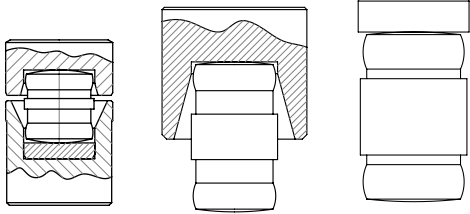
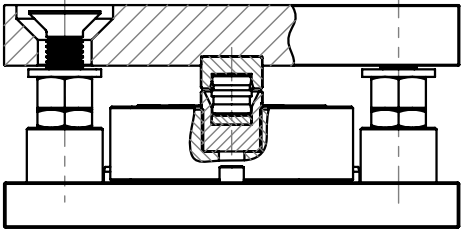
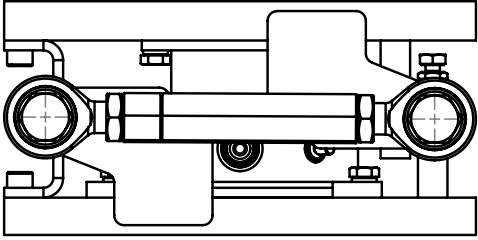
28, 60t



Specifications and dimensions are subject to change without notice and do not constitute any liability whatsoever.

Dimension Capacity	ØA	ØB	C	D	E	ØF	G	H	I	J	R
0.06t, 0.13t, 0.28t	63	15.1	22	11	60	54	6	10	Ø3.2	-	-
0.25t, 0.5t, 1t	80	19	25	12.5	65	71	10	18	M10	1	-
2t, 3.5t, 5t	80	19	30	12.5	65	71	10	18	Ø15	6	-
10t	95	26	35	12.5	67	75	20.7	31.2	-	-	-
13t	95	26	35	20	82.5	79.5	20	31	-	-	-
28t	120	35.9	46	25	94	102	-	53	-	-	400
60t	140	47.9	62	34	104	124	-	69	-	-	600

## Available Accessories

<p><b>BM-24-401/402/403-Z2/Z3-0.25-13t Rocker Pin set</b></p> <ul style="list-style-type: none"> <li>• Automatic centring of load</li> <li>• Anti-corrosion</li> <li>• Easy installation</li> <li>• Stainless steel</li> </ul>	
<p><b>BM-24-401/402/403-0.25-13t Tank Mount</b></p> <ul style="list-style-type: none"> <li>• Stainless steel mount</li> <li>• Easy load cell access</li> <li>• Easy installation</li> <li>• Lift-off protection</li> <li>• Controlled horizontal movement</li> </ul>	
<p><b>BM-24-904-28t/60t Tank Mount</b></p> <ul style="list-style-type: none"> <li>• Stainless steel mount for largest capacities</li> <li>• Complete kit including dummy loadcell, pressure piece &amp; transport plate</li> <li>• Easy installation</li> <li>• Built-in horizontal movement control</li> </ul>	
<p><b>BY-24-502-0.25t – 1t/2t – 5t Ball Foot</b></p> <ul style="list-style-type: none"> <li>• Stainless steel ball foot</li> <li>• Easy installation</li> <li>• Good ability of anti-side loading</li> </ul>	