



Short Description



- Aluminium-alloy IP65 single point load cell
- Colourless anodized
- Suitable for single and double load cell structured platform scales
- Maximum platform size:
 - for 50kg – 200kg: 600 x 600 mm
 - for 250kg – 635kg: 600 x 800 mm



Test certificate no. D09-06.12 Rev. 0
C of C no R60/2000-CN1-06.03



Certificate no. 12-006

Available Models

Capacity	Accuracy	Full Article Description
50kg	C3	L6W-C3-50kg-3G6
75kg	C3	L6W-C3-75kg-3G6
100kg	C3	L6W-C3-100kg-3G6
150kg	C3	L6W-C3-150kg-3G6
200kg	C3	L6W-C3-200kg-3G6
250kg	C3	L6W-C3-250kg-3G6
300kg	C3	L6W-C3-300kg-3G6
500kg	C3	L6W-C3-500kg-3G6
635kg	C3	L6W-C3-635kg-3G6

Technical Specifications L6W

Accuracy Class		OIML R60 C3	
Output Sensitivity (= FS)	mV/V	2.0 ± 0.2	
Maximum Capacity (E _{max})	kg	50, 75, 100, 150, 200, 250, 300	500, 635
Max. Number of Load Cell Intervals	n _{LC}	3000	
Ratio of min. LC Verification Interval	$Y = E_{max} / V_{min}$	7000	10000
Combined Error	%FS	≤± 0.0230	
Creep Error (30 minutes)	%FS	≤± 0.0167	
Temperature Effect on Zero (ZTC)	%FS/10°C	≤± 0.0200	
Temperature Effect on Sensitivity (STC)	%FS/10°C	≤± 0.0175	
Zero Balance	%FS	≤± 1.0	
Safe Overload	%FS	120	
Ultimate Overload	%FS	150	
Maximum Deflection	mm	0.29 ~ 0.60	
Eccentric Loading Error	%Ld/cm	± 0.002	
Excitation, Recommended Voltage	V	5 ~ 12	
Excitation, Maximum Voltage	V	18	
Input Resistance	Ω	406 ± 6	
Output Resistance	Ω	350 ± 3	
Insulation Resistance (50V)	MΩ	≥5000	
Compensated Temperature	°C	-10 ~ + 40	
Operating Temperature	°C	-35 ~ + 65	
Storage Temperature	°C	-40 ~ + 70	
Load Cell Weight	kg	1.8	
Element Material		Aluminium	
Ingress Protection (acc. to EN 60529)		IP65	
Recommended Torque on Fixation Bolts	Nm	M8: 20	

Wiring

Features:

Cable type: Shielded, 6 conductor cable , conductor AWG 28

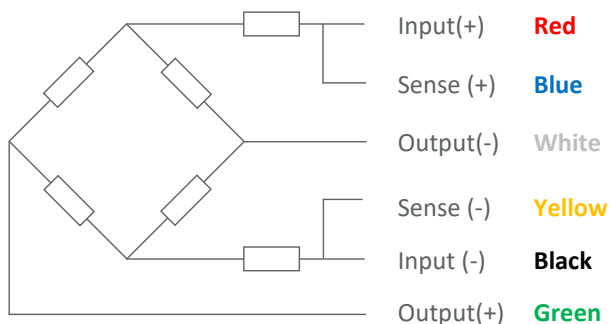
Cable diameter: Ø 4.7mm

Cable length: 3.0m

Cable jacket: PU

Shield connected to element

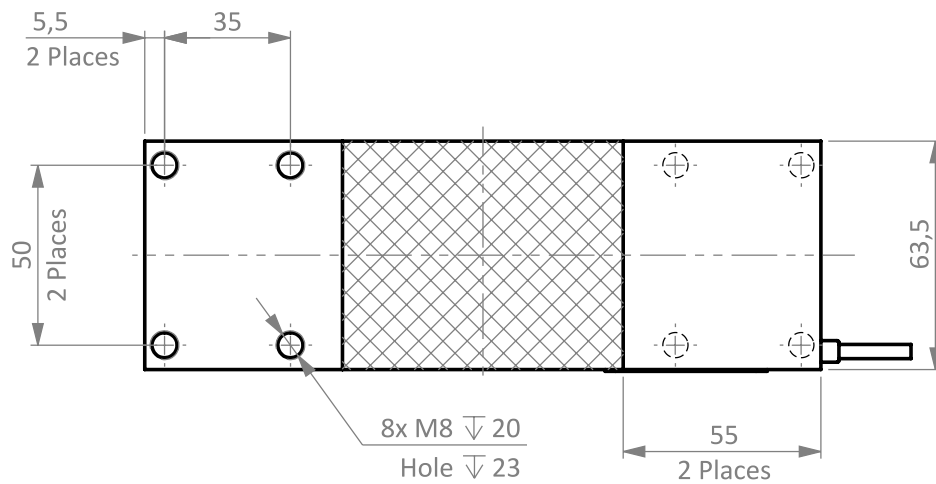
6-Wire Connection Diagram



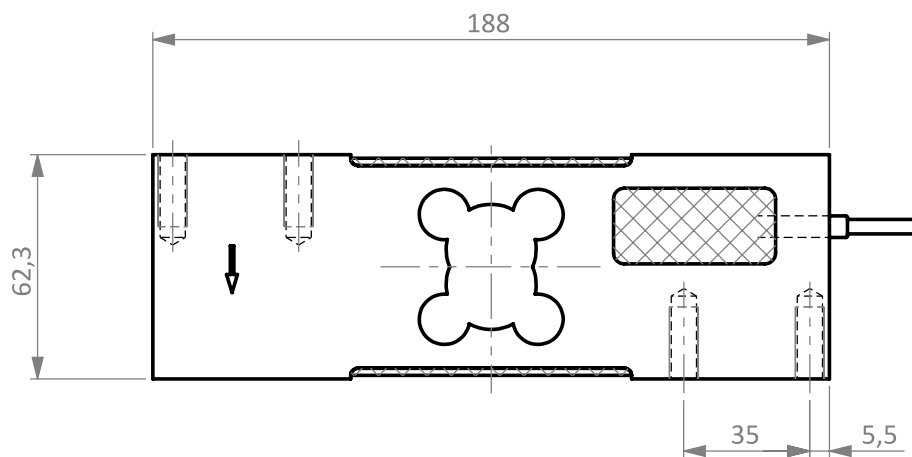
Specifications and dimensions are subject to change without notice and do not constitute any liability whatsoever.

Dimensions in mm

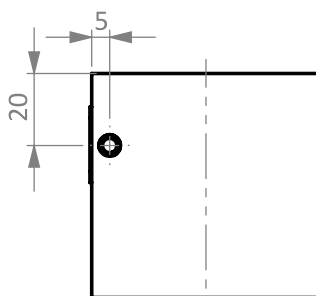
Top View



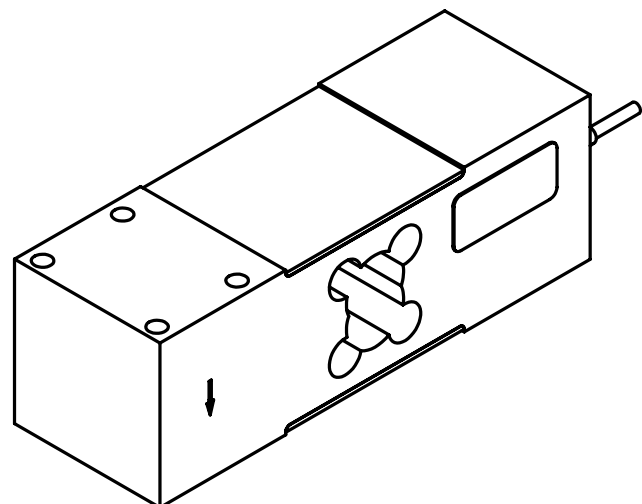
Front View



Side View



Isometric View



Specifications and dimensions are subject to change without notice and do not constitute any liability whatsoever.