



## Short Description



- Stainless steel IP68 Compression/tension load cell
- Hermetically sealed
- Suitable for vehicle and hopper scales and vehicle testing facilities
- Built-in surge arrestors

## Available Models

Capacity	Accuracy	Full Article Description
10t	C2	BM14D-C2-10t-20B
20t	C2	BM14D-C2-20t-20B
25t	C2	BM14D-C2-25t-20B
30t	C2	BM14D-C2-30t-20B
40t	C2	BM14D-C2-40t-20B
50t	C2	BM14D-C2-50t-20B
100t	C2	BM14D-C2-100t-20B

Specifications and dimensions are subject to change without notice and do not constitute any liability whatsoever.

## Technical Specifications BM14D

Accuracy Class		C2		
Output Sensitivity ( = FS )	mV/V	1.5 ± 0.002		
Maximum Capacity ( E <sub>max</sub> )	t	10, 20, 25, 30, 40, 50, 100		
Max. Number of Load Cell Intervals	n <sub>LC</sub>	2000		
Ratio of min. LC Verification Interval	$Y = E_{max} / v_{min}$	5000		
Combined Error	%FS	≤± 0.030		
Creep Error (30 minutes)	%FS	≤± 0.024		
Temperature Effect on Zero (ZTC)	%FS/10°C	≤± 0.023		
Temperature Effect on Sensitivity (STC)	%FS/10°C	≤± 0.017		
Zero Balance	%FS	≤ ± 1.0		
Safe Overload	%FS	150		
Ultimate Overload	%FS	300		
Excitation, Recommended Voltage	V	5 ~ 12		
Excitation, Maximum Voltage	V	18		
Input Resistance	Ω	700 ± 7		
Output Resistance	Ω	703 ± 4		
Insulation Resistance (50V)	MΩ	≥5000		
Compensated Temperature	°C	-10 ~ +40		
Operating Temperature	°C	-35 ~ +65		
Storage Temperature	°C	-40 ~ +70		
Package Weight	kg	10t - 30t: 4.5	40/50t: 17.6	100t: 21.0
Element Material		Stainless steel		
Ingress Protection (acc. to EN 60529)		IP68		
ATEX Classification (optional)		II 1G Ex ia IIC T4 Ga	II 1D Ex ia IIIC T <sub>200</sub> 135°C Da	II 3G Ex ic IIC T4 Gc

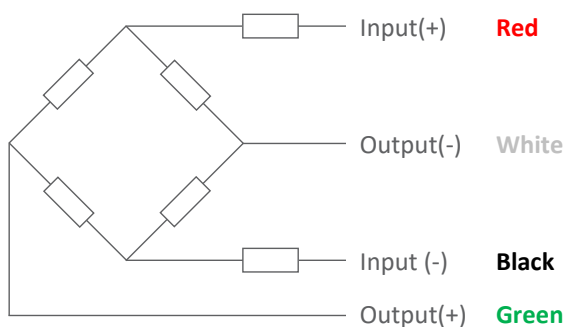
## Wiring

### Features:

Cable type: Shielded, 4 conductor cable, conductor AWG 21  
 Cable diameter: Ø 5mm  
 Cable length: 20m  
 Cable jacket: Polyurethane

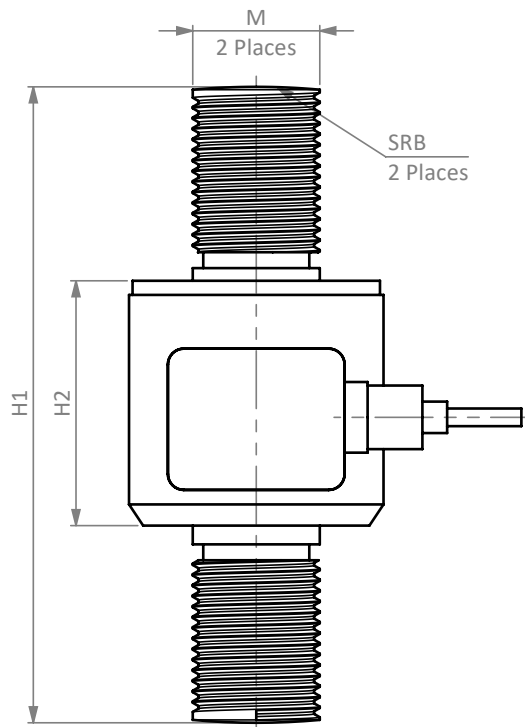
Shield not connected to element

### 4-Wire Connection Diagram

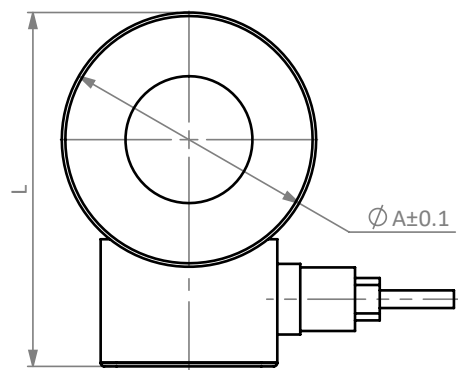


## Dimensions in mm

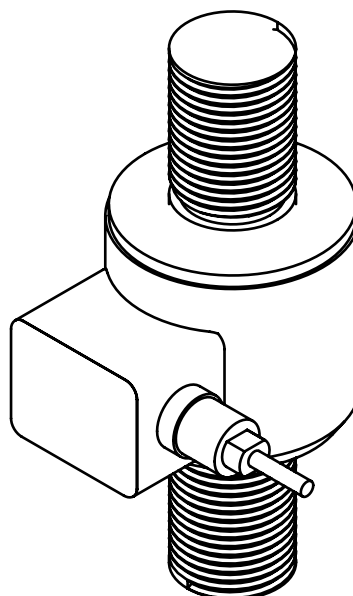
Front View



Top View



Isometric View



Dimension Capacity	H1	H2	ØA	L	SRB	M
10t, 20t	180	69.3	73	99.7	200	M36 x 3
25t, 30t	200	70	88.9	131,6	250	M42 x 3
40t, 50t	250	99.3	105	138.3	300	M56 x 4
100t	350	131.9	152.4	183.9	400	M76 x 4

Specifications and dimensions are subject to change without notice and do not constitute any liability whatsoever.