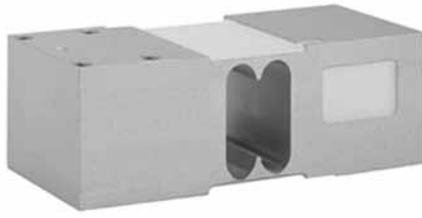


Aluminum High Capacity Single Point Load Cell



FEATURES

- Capacities 50 - 660kg
- Aluminum construction
- Single point 600 x 600mm platform
- OIML R60 and NTEP approved
- IP66 protection
- Available with metric and UNC threads

OPTIONAL FEATURES

- EEx ia IIC T4 hazardous area approval
- FM approval available

DESCRIPTION

Model 1260 is a high performance, high capacity single point load cell designed for direct mounting of large platforms.

The rugged construction offers high immunity to side forces making it suitable for a wide range of weighing applications, including bench scales and check weighing.

A special humidity resistant protective coating assures long term stability over the entire compensated temperature range.

For hazardous environments this load cell has an EEx ia IIC T4 level of approval.

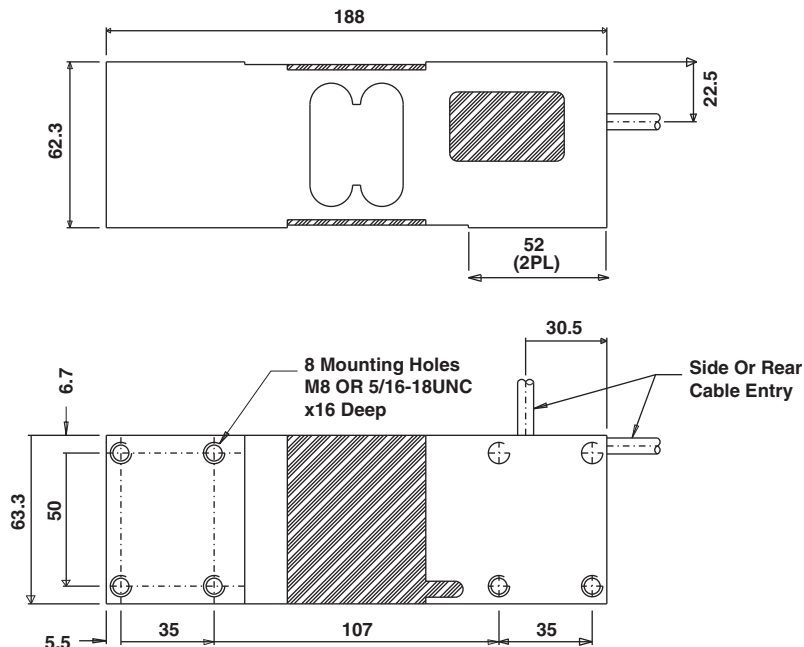
The two additional sense wires feed back the voltage reaching the load cell. Complete compensation of changes in lead resistance due to temperature change and/or cable extension, is achieved by feeding this voltage into appropriate electronics.

APPLICATIONS

- Large platform scales
- Hanging scales
- Check weighing

OUTLINE DIMENSIONS in millimeters

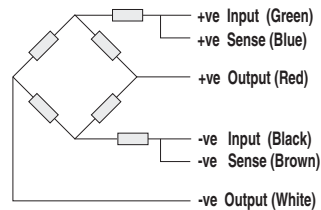
Outline Dimensions All Capacities in mm.



**SPECIFICATIONS**

PARAMETER	VALUE			UNIT
	50, 75, 100, 150, 250, 300, 500, 635, 660			
Rated capacity-R.C. (E_{max})				kg
NTEP/OIML Accuracy class	NTEP	Non-Approved	C3*	
Maximum no. of intervals (n)	5000 single	1000	3000	
$Y = E_{max}/V_{min}$	1000	3333	15000	Maximum available
Rated output-R.O.	2.0			mV/V
Rated output tolerance	0.2			±mV/V
Zero balance	0.2			+mV/V
Zero Return, 30 min.	0.0330	0.0300	0.0170	±% of applied load
Total Error	0.0350	0.0500	0.0200	±% of rated output
Temperature effect on zero	0.0028	0.0100	0.0023	±% of rated output/°C
Temperature effect on output	0.0011	0.0030	0.0010	±% of applied load/°C
Eccentric loading error	0.0020	0.0050	0.0033	±% of rated load/cm
Temperature range, compensated	-10 to +40			°C
Temperature range, safe	-20 to +70			°C
Maximum safe central overload	150			% of R.C.
Ultimate central overload	300			% of R.C.
Excitation, recommended	10			Vdc or Vac rms
Excitation, maximum	15			Vdc or Vac rms
Input impedance	415±15			Ohms
Output impedance	350±3			Ohms
Insulation resistance	>2000			Mega-Ohms
Cable length	3			m
Cable type	6 wire, braided, Polyurethane, dual floating screen			Standard
Construction	Plated (Anodized) aluminum			
Environmental protection	IP66			
Platform size (max)	600 x 600			mm
Recommended torque	16.0			N*m

* 50% utilization

Wiring Schematic Diagram
(Balanced temperature compensation)**VISHAY TRANSDUCERS (VT) SALES OFFICES**

VT Americas
City of Industry, CA
PH: +1-626-858-8899
FAX: +1-626-332-3418
vt.us@vishaymg.com

VT Netherlands
Breda
PH: +31-76-548-0700
FAX: +31-76-541-2854
vt.nl@vishaymg.com

VMG UK
Basingstoke
PH: +44-125-646-2131
FAX: +44-125-647-1441
vt.uk@vishaymg.com

VMG Israel
Netanya
PH: +972-9-863-8888
FAX: +972-9-863-8800
vt.il@vishaymg.com

VMG Germany
Heilbronn
PH: +49-7131-3901-260
FAX: +49-7131-3901-2666
vt.de@vishaymg.com

VT China
Tianjin
PH: +86-22-2835-3503
FAX: +86-22-2835-7261
vt.prc@vishaymg.com

VMG France
Chartres
PH: +33-2-37-33-31-20
FAX: +33-2-37-33-31-29
vt.fr@vishaymg.com

VT Taiwan*
Taipei
PH: +886-2-2696-0168
FAX: +886-2-2696-4965
vt.roc@vishaymg.com
*Asia except China