

Model 1250

Vishay Tedeo-Huntleigh



Aluminum High Capacity Single Point Load Cell



FEATURES

- Capacities 50 - 1500kg
- Aluminum construction
- Single point 600 x 600mm platform
- OIML R60 and NTEP approved
- IP65 protection
- Available with metric and UNC threads

OPTIONAL FEATURES

- EEx ia IIC T4 hazardous area approval
- FM approval available
- IP67 option available

DESCRIPTION

Model 1250 is a single point load cell designed for direct mounting of large platforms.

The product is a cost-effective load cell for use on counting, weighing, bench or floor scale products.

This high accuracy load cell is approved to OIML R60, NTEP and other stringent approval standards. Suitable for use in hazardous environments, these load cells can be provided with European approval to

EEx ia IIC T4 and are FM approved to class I, II, III, Division I.

A special humidity-resistant protective coating assures longterm stability over the entire compensated temperature range.

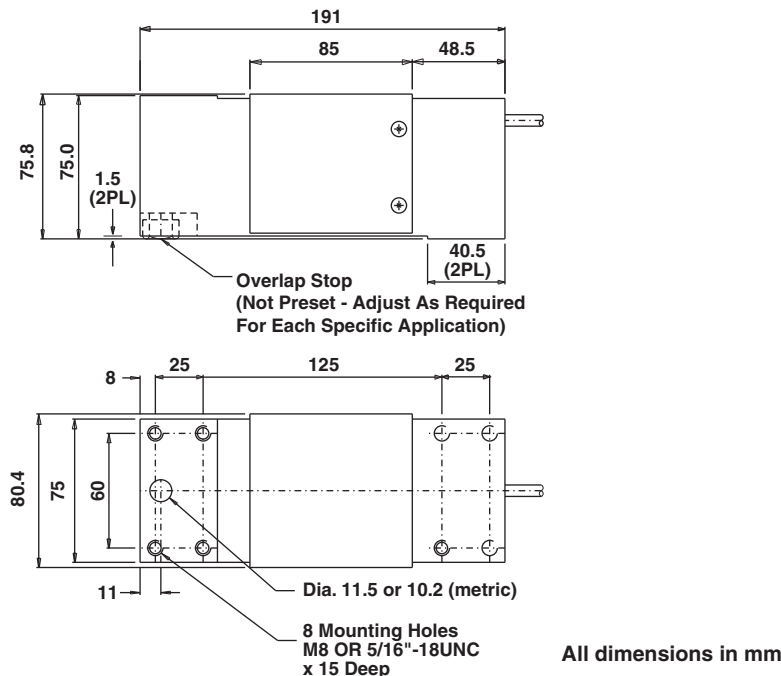
The two additional sense wires, sample the bridge supply voltage at the load cell. Complete compensation of change on the in the lead wires resistance, due to temperature change and/or cable extension, is achieved by feeding this voltage into the appropriate electronics.

APPLICATIONS

- Large platform scales
- Hanging scales
- Check weighing

OUTLINE DIMENSIONS in millimeters

Outline Dimensions All Capacities



Regional Distributor

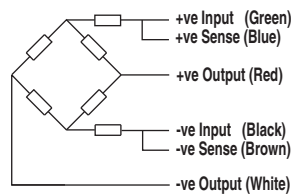
803, Riqqa Palace Building, Al-Maktum Ave. P.O.Box 181802 Dubai, UAE
Tel.: +97 14 2270081 Fax: +97 14 2239962 rcsco@eim.ae www.rcs-co.com

**SPECIFICATIONS**

PARAMETER	VALUE			UNIT
Rated capacity-R.C. (E_{max})	50, 75, 100, 150, 200, 250, 300, 500, 635, 750, 1000, 1500			kg
NTEP/OIML Accuracy class	NTEP	Non-Approved	C3*	
Maximum no. of intervals (n)	5000 single	1000	3000	
$Y = E_{max}/V_{min}$	15000	1400	10000	Max. available
Rated output-R.O.	2.0			mV/V
Rated output tolerance	0.2			\pm mV/V
Zero balance	0.2			+mV/V
Zero Return, 30 min.	0.0250	0.0300	0.0170	\pm % of applied load
Total Error (per OIML R60)	0.0200	0.0500	0.0200	\pm % of rated output
Temperature effect on zero	0.0023	0.0100	0.0023	\pm % of rated output/ $^{\circ}$ C
Temperature effect on output	0.0010	0.0030	0.0010	\pm % of applied load/ $^{\circ}$ C
Eccentric loading error	0.0033	0.0050	0.0033	\pm % of rated load/cm
Temperature range, compensated	-10 to +40			$^{\circ}$ C
Temperature range, safe	-20 to +70			$^{\circ}$ C
Maximum safe central overload	150			% of R.C.
Ultimate central overload	300			% of R.C.
Excitation, recommended	10			Vdc or Vac rms
Excitation, maximum	15			Vdc or Vac rms
Input impedance	415 \pm 15			Ohms
Output impedance	350 \pm 3			Ohms
Insulation resistance	>2000			Mega-Ohms
Cable length	3.0			m
Cable type	6 wire, braided, Polyurethane, floating screen			Standard
Construction	Plated (anodized) Aluminum			
Environmental protection	IP65**			
Platform size (max)	600 x 600			mm
Recommended torque	Up to 1000kg: 16.0 1500kg 32.0			N*m

* 50% utilization
3500 divisions also available

** Available also in IP67

Wiring Schematic Diagram**BALANCED TEMPERATURE COMPENSATION****VISHAY TRANSDUCERS (VT) SALES OFFICES**

VT Americas
City of Industry, CA
PH: +1-626-858-8899
FAX: +1-626-332-3418
vt.us@vishaymg.com

VT Netherlands
Breda
PH: +31-76-548-0700
FAX: +31-76-541-2854
vt.nl@vishaymg.com

VMG UK
Basingstoke
PH: +44-125-646-2131
FAX: +44-125-647-1441
vt.uk@vishaymg.com

VMG Israel
Netanya
PH: +972-9-863-8888
FAX: +972-9-863-8800
vt.il@vishaymg.com

VMG Germany
Heilbronn
PH: +49-7131-3901-260
FAX: +49-7131-3901-2666
vt.de@vishaymg.com

VT China
Tianjin
PH: +86-22-2835-3503
FAX: +86-22-2835-7261
vt.prc@vishaymg.com

VMG France
Chartres
PH: +33-2-37-33-31-20
FAX: +33-2-37-33-31-29
vt.fr@vishaymg.com

VT Taiwan*
Taipei
PH: +886-2-2696-0168
FAX: +886-2-2696-4965
vt.roc@vishaymg.com
*Asia except China