

Low Profile Aluminum Load Cell



FEATURES

- Capacities 1- 250kg
- Aluminum construction
- Single point 400 x 400mm platform
- OIML R60 and NTEP approved
- IP66 protection
- Available with metric and UNC threads

OPTIONAL FEATURES

- EEx ia IIC T4 hazardous area approval
- FM approval available

DESCRIPTION

Model 1042 is a low profile single point load cell designed for direct mounting of low cost weighing platforms.

Its small physical size, combined with high accuracy and low cost, makes this load cell ideally suited for retail, bench and counting scales.

Capacities of 5kg and above are supplied as standard in anodized aluminum. This high accuracy load cell is approved to NTEP and other stringent approval standards, including OIML R60.

A humidity resistant protective coating assures long term stability over the entire compensated temperature range.

The two additional sense wires feed back the voltage reaching the load cell. Complete compensation of changes in lead resistance due to temperature change and/or cable extension, is achieved by feeding this voltage into the appropriate electronics.

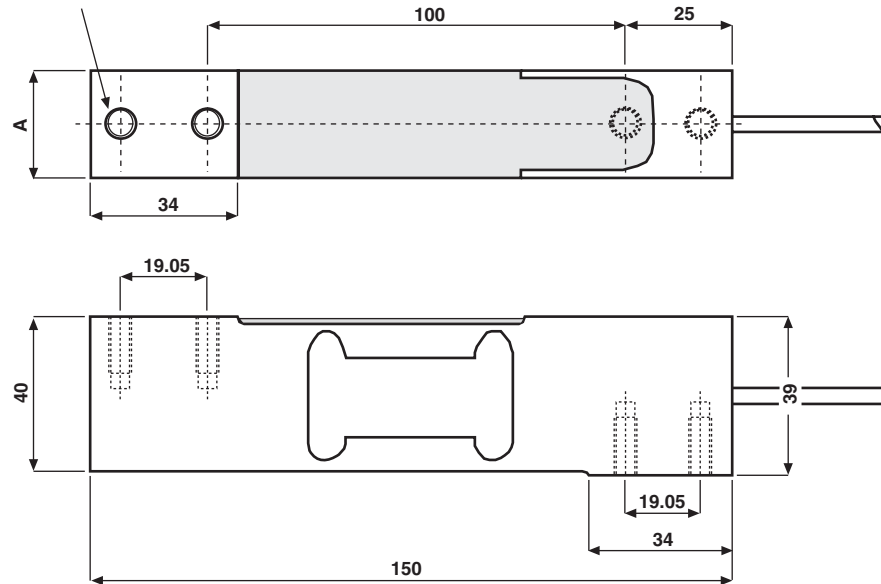
APPLICATIONS

- Bench scales
- Counting scales
- Grocery scales

OUTLINE DIMENSIONS in millimeters

Capacity, kg	A
1 - 30	20
50 - 250	25.4

4 Mounting holes
M6-6H or 1/4"-20 UNC-2B



SPECIFICATIONS

PARAMETER	VALUE				UNITS
	1, 3, 5, 7, 10, 15, 20, 30, 50, 75, 100, 150, 250***				
Rated capacity-R.C. (E_{max})					kg
NTEP/OIML Accuracy class	NTEP	Non-Approved	C3*	C6**	
Maximum no. of intervals (n)	5000 single	1000	3000	6000*****	
$Y = E_{max}/V_{min}$	10000	3333	15000	15000	Maximum available
Rated output-R.O.	2.0				mV/V
Rated output tolerance	0.2				±mV/V
Zero balance	0.2				+mV/V
Zero Return, 30 min.	0.0330	0.0300	0.0170	0.0083	±% of applied load
Total Error (per OIML R60)	0.0200	0.0500	0.0200	0.0100	±% of rated output
Temperature effect on zero	0.0023	0.0100	0.0023	0.0024	±% of rated output/°C
Temperature effect on output	0.001	0.0030	0.0010	0.00058	±% of applied load/°C
Eccentric loading error	0.0057	0.0085	0.0049	0.0024	±% of rated load/cm
Temperature range, compensated	-10 to +40				°C
Temperature range, safe	-20 to +70				°C
Maximum safe central overload	150				% of R.C.
Ultimate central overload	300				% of R.C.
Excitation, recommended	10				Vdc or Vac rms
Excitation, maximum	15				Vdc or Vac rms
Input impedance	415±15				Ohms
Output impedance	350±3				Ohms
Insulation resistance	>2000				Mega-Ohms
Cable length	1****				m
Cable type	6wire, PVC, single floating screen				Standard
Construction	Plated (Anodize) aluminum				
Environmental protection	IP66				
Platform size (max)	400 x 400				mm
Recommended torque	Up to 30kg: 7.0 35kg & up: 10.0				N*m

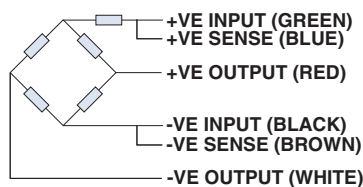
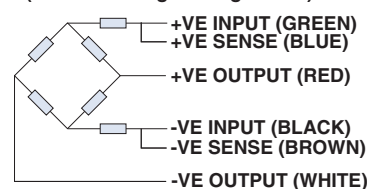
* 50% utilization

** 60% utilization

*** 1kg is not approved by OIML, 150 and 250kg are not approved by NTEP

**** 20kg and up are 2 sided and the cable goes out of the side

***** 6000 divisions from 20kg to 100kg

WIRING SCHEMATIC DIAGRAM
 (unbalanced bridge configuration)

WIRING SCHEMATIC DIAGRAM
 (balanced bridge configuration)

VISHAY TRANSDUCERS (VT) SALES OFFICES

VT Americas
 City of Industry, CA
 PH: +1-626-858-8899
 FAX: +1-626-332-3418
 vt.us@vishaymg.com

VT Netherlands
 Breda
 PH: +31-76-548-0700
 FAX: +31-76-541-2854
 vt.nl@vishaymg.com

VMG UK
 Basingstoke
 PH: +44-125-646-2131
 FAX: +44-125-647-1441
 vt.uk@vishaymg.com

VMG Israel
 Netanya
 PH: +972-9-863-8888
 FAX: +972-9-863-8800
 vt.il@vishaymg.com

VMG Germany
 Heilbronn
 PH: +49-7131-3901-260
 FAX: +49-7131-3901-2666
 vt.de@vishaymg.com

VT China
 Tianjin
 PH: +86-22-2835-3503
 FAX: +86-22-2835-7261
 vt.prc@vishaymg.com

VMG France
 Chartres
 PH: +33-2-37-33-31-20
 FAX: +33-2-37-33-31-29
 vt.fr@vishaymg.com

VT Taiwan*
 Taipei
 PH: +886-2-2696-0168
 FAX: +886-2-2696-4965
 vt.roc@vishaymg.com
 *Asia except China