

Single-Ended Beam



FEATURES

- Capacities: 500kg, 1t, 1.5t, 2t, and 2.5t
- High side-load tolerance
- Electroless nickel-plated-alloy tool steel
- OIML C3 approval from 500kg to 2.5t

OPTIONAL FEATURE

- FM approval available

DESCRIPTION

SEB is a single-ended shear beam load cell designed for multiple cell applications such as low profile platform or small tank scales when used with proper mounting accessories.

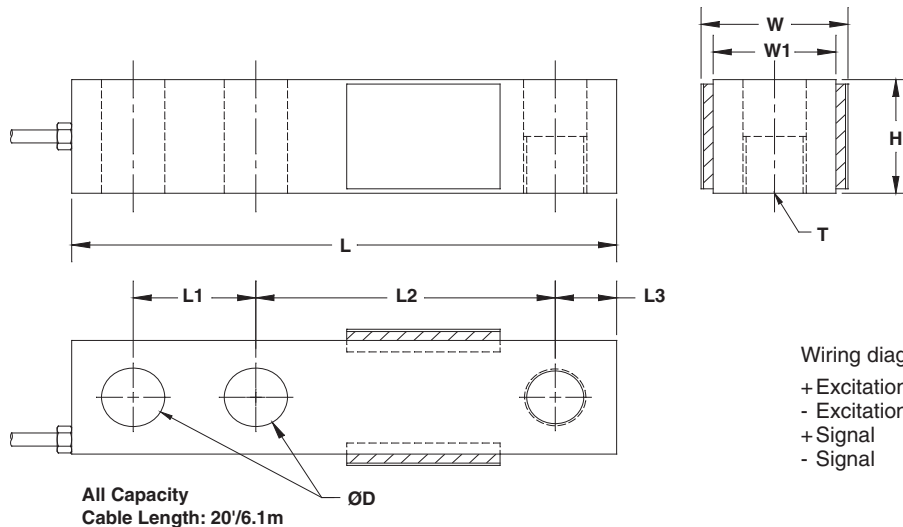
It is insensitive to side loading and capable of reversed loading.

SEB is constructed of alloy steel and fully potted with special chemical compounds to IP67 to protect the cell from water and moisture damage.

APPLICATIONS

- Truck/ Rail scales
- Silo/ Hopper/Tank weighing
- Platform scales (multiple load cells)
- Pallet truck scales
- Packaging machines

OUTLINE DIMENSIONS



CAPACITY		L	L1	L2	L3	W	W1	H	D	T
500kg / 1t / 1.5t / 2t	mm	130.0	25.4	76.2	12.7	38.1	31.2	31.2	13.5	M12 x 1.75
	(inch)	5.12	1.00	3.00	0.50	1.50	1.25	1.25	0.53	
2.5t	mm	171.5	38.1	95.3	19.0	44.2	38.1	38.1	19.8	M20 x 1.5
	(inch)	6.75	1.50	3.75	0.75	1.74	1.50	1.50	0.78	



SPECIFICATIONS

PARAMETER	VALUE	UNIT
NTEP/OIML Accuracy class	C3	
Maximum no. of intervals (n)	3000	
$Y = E_{max}/V_{min}$	10000	Maximum available
Standard capacities (E_{max})	500, 1000, 1500, 2000, 2500	kg
Rated output-R.O.	3.0	mV/V
Rated output tolerance	0.25	±% of rated output
Zero balance	1	±% of rated output
Non linearity	0.025	±% of rated output
Hysteresis	0.025	±% of rated output
Non-repeatability	0.020	±% of rated output
Creep error (20 minutes)	0.030	±% of rated output
Zero return (20 minutes)	0.030	±% of rated output
Temperature effect on min. dead load output	0.0014	±% of rated output/°C
Temperature effect on sensitivity	0.0008	±% of applied load/°C
Compensated temperature range	-10 to +40	°C
Operating temperature range	-20 to +60	°C
Safe overload	150	% of R.C.
Ultimate overload	300	% of R.C.
Excitation, recommended	10	Vdc or Vac rms
Excitation, maximum	15	Vdc or Vac rms
Input impedance	385±5	Ohms
Output impedance	350±3	Ohms
Insulation resistance	>5000	Mega-Ohms
Construction	Nickel plated alloy steel	
Environmental protection	IP67	

All specifications listed subject to change without notice.

FM Approval

Intrinsically Safe: Class I, II, III; Div. 1 Groups A-G

Non-Incendive: Class I; Div. 2 Groups A-D

VISHAY TRANSDUCERS (VT) SALES OFFICES

VT Americas
 City of Industry, CA
 PH: +1-626-858-8899
 FAX: +1-626-332-3418
 vt.us@vishaymg.com

VT Netherlands
 Breda
 PH: +31-76-548-0700
 FAX: +31-76-541-2854
 vt.nl@vishaymg.com

VMG UK
 Basingstoke
 PH: +44-125-646-2131
 FAX: +44-125-647-1441
 vt.uk@vishaymg.com

VMG Israel
 Netanya
 PH: +972-9-863-8888
 FAX: +972-9-863-8800
 vt.il@vishaymg.com

VMG Germany
 Heilbronn
 PH: +49-7131-3901-260
 FAX: +49-7131-3901-2666
 vt.de@vishaymg.com

VT China
 Tianjin
 PH: +86-22-2835-3503
 FAX: +86-22-2835-7261
 vt.prc@vishaymg.com

VMG France
 Chartres
 PH: +33-2-37-33-31-20
 FAX: +33-2-37-33-31-29
 vt.fr@vishaymg.com

VT Taiwan*
 Taipei
 PH: +886-2-2696-0168
 FAX: +886-2-2696-4965
 vt.roc@vishaymg.com
 *Asia except China



Notice

Specifications of the products displayed herein are subject to change without notice. Vishay Intertechnology, Inc., or anyone on its behalf, assumes no responsibility or liability for any errors or inaccuracies.

Information contained herein is intended to provide a product description only. No license, express or implied, by estoppel or otherwise, to any intellectual property rights is granted by this document. Except as provided in Vishay's terms and conditions of sale for such products, Vishay assumes no liability whatsoever, and disclaims any express or implied warranty, relating to sale and/or use of Vishay products including liability or warranties relating to fitness for a particular purpose, merchantability, or infringement of any patent, copyright, or other intellectual property right.

The products shown herein are not designed for use in medical, life-saving, or life-sustaining applications. Customers using or selling these products for use in such applications do so at their own risk and agree to fully indemnify Vishay for any damages resulting from such improper use or sale.