

Stainless Steel, Welded Seal S-Beam Load Cell



FEATURES

- Rated capacities of 500 to 20,000 pounds
- Stainless steel, welded seal construction
- Integral loading brackets
- Compatible with TCM tension mounting hardware
- Designed for single or multiple load cell applications
- Trade certified for NTEP Class IIIL: 10000d and III: 5000d
- *Sensorgage*™ sealed to IP68 standards
- Factory Mutual System Approved for Classes I, II, III; Divisions 1 and 2; Groups A through G. Also, non-incendive ratings (No barriers!).

OPTIONAL FEATURE

- Mounting and loading accessory hardware available

DESCRIPTION

Model 60063 is a stainless steel S-Type load cell. Its welded sealing combined with high accuracy, make this load cell ideally suited for a wide range of applications of process weighing and force measurement.

Approvals included NTEP III 5000d single and NTEP IIIL10000d multiple. Also available are versions approved for hazardous areas - FM I, II, III Division 1.

APPLICATIONS

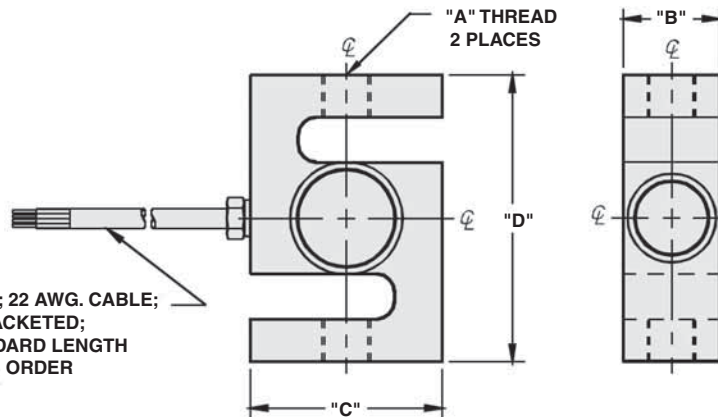
- Hostile environments: Food and beverage processing, Chemical and plastics processing, Pharmaceutical and biomedical
- Bin, hopper and belt conveyor scales
- Level and inventory monitoring
- Tension and compression measurements

OUTLINE DIMENSIONS in inches

Wiring

- | | |
|--------------|-------|
| + Excitation | Red |
| - Excitation | Black |
| + Output | Green |
| - Output | White |

4 CONDUCTOR; 22 AWG. CABLE; SHIELDED & JACKETED; 20 FOOT STANDARD LENGTH OR PER SALES ORDER



CAPACITY	A	B	C	D	DEFLECTION	WEIGHT
500 - 3K	1/2-20	1.00	2.00	3.00	0.010	3.0
5K - 10K	3/4-16	1.00	3.50	4.75	0.010	5.00
15K	1-14	1.25	4.00	5.50	0.010	8.00
20K	1 1/4-12	2.00	5.00	7.00	0.010	19.00

Capacities are in pounds. Deflection is ± 10%. Certified drawings are available.

**SPECIFICATIONS**

PARAMETER	VALUE			UNIT
Rated capacity-R.C. (E_{max})	500, 750, 1K, 1.5K, 2K, 2.5K, 3K, 5K, 10K, 15K, 20K*			lbs
NTEP/OIML Accuracy class	NTEP III	NTEP IIII	Standard	
Maximum no. of intervals (n)	5000 multiple	10000 multiple		
$Y = E_{max}/V_{min}$	See NTEP cert. 98-019			Maximum available
Rated output-R.O.	2.0			mV/V
Rated output tolerance	+25%...-10%			% mV/V
Zero balance	1.0			±% FSO
Combined error	0.02	0.02	0.03	±% FSO
Non-repeatability	0.01	0.01	0.015	±% FSO
Creep error (30 minutes)	0.025	0.03	0.03	±% FSO
Temperature effect on zero	0.0010	0.0010	0.0015	±% FSO/°F
Temperature effect on output	0.0008	0.0008	0.0008	±% of load/°F
Compensated temperature range	14 to 104 (-10 to 40)			°F (°C)
Operating temperature range	0 to 150 (-18 to 65)			°F (°C)
Storage temperature range	-60 to 185 (-50 to 85)			°F (°C)
Maximum safe central overload	150			% of R.C.
Ultimate central overload	300			% of R.C.
Excitation, recommended	10			Vdc or Vac rms
Excitation, maximum	15			Vdc or Vac rms
Input impedance	349 - 450			Ω
Output impedance	349 - 355			Ω
Insulation resistance at 50VDC	>1000			MΩ
Material	Stainless steel			
Environmental protection	IP68			

Note: * NTEP approval 500-5Klbs only.
FSO - Full Scale Output

All specifications subject to change without notice.

VISHAY TRANSDUCERS (VT) SALES OFFICES

VT Americas
City of Industry, CA
PH: +1-626-858-8899
FAX: +1-626-332-3418
vt.us@vishaymg.com

VT Netherlands
Breda
PH: +31-76-548-0700
FAX: +31-76-541-2854
vt.nl@vishaymg.com

VMG UK
Basingstoke
PH: +44-125-646-2131
FAX: +44-125-647-1441
vt.uk@vishaymg.com

VMG Israel
Netanya
PH: +972-9-863-8888
FAX: +972-9-863-8800
vt.il@vishaymg.com

VMG Germany
Heilbronn
PH: +49-7131-3901-260
FAX: +49-7131-3901-2666
vt.de@vishaymg.com

VT China
Tianjin
PH: +86-22-2835-3503
FAX: +86-22-2835-7261
vt.prc@vishaymg.com

VMG France
Chartres
PH: +33-2-37-33-31-20
FAX: +33-2-37-33-31-29
vt.fr@vishaymg.com

VT Taiwan*
Taipei
PH: +886-2-2696-0168
FAX: +886-2-2696-4965
vt.roc@vishaymg.com
*Asia except China