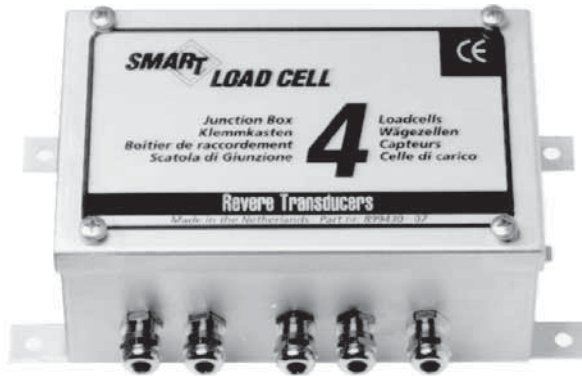


Junction Box for Digital Weigh Bridge



FEATURES

- Two junction boxes available for 4 SLC and 8 SLC systems
- Stainless steel construction
- IEC529 enclosure Class IP66
- 4 SLC box offers both “star” and “looped through” multi-drop configurations
- Optional dedicated surge protection board available
- Protects smart load cells and associated equipment
- Protects against voltages of up to 20kV
- Protects against currents of up to 10kA
- No specific grounding rods necessary

DESCRIPTION

SLC junction boxes have been designed to facilitate various multi-drop configurations in a smart load cell system. There are two variants, one supporting up to 4 SLCs (JB4), the other up to 8 SLCs (JB8).

JB8 uses a “star” connection while JB4 offers a choice of “star” or “looped through” connection of the SLCs. Looped through connection improves system performance where greater cable lengths are required.

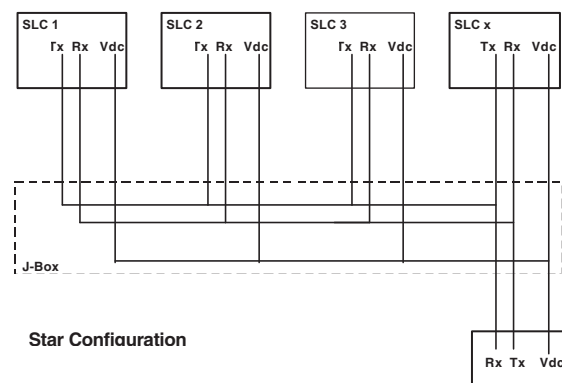
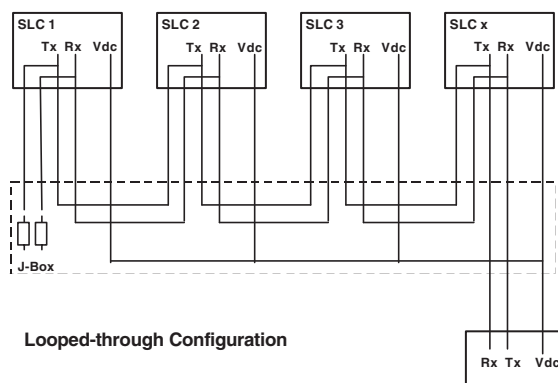
The RT30/J surge protection device protects smart load cells and associated equipment against damage from transient over-voltages or high impulse currents on field cabling. Surges such as these can be caused by nearby lightning strikes, power supply faults and heavy electrical load switching.

APPLICATIONS

- Digital weigh bridge
- Digital platform scales

SPECIFICATIONS

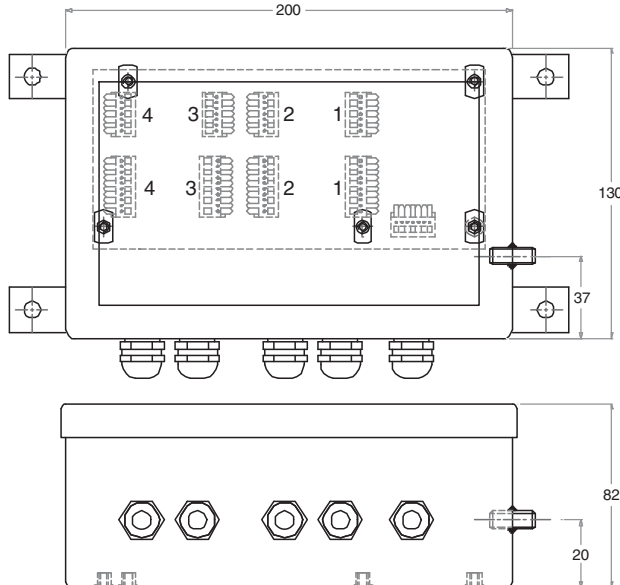
Junction Box		
Max. number of load cells	JB-4	4
	JB-8	8
Types of SLC cables		3 or 5 times twisted pair
Terminating resistors	Ω	2 x 120
Operating temperature range	$^{\circ}\text{C}$	-40 to +70
Storage temperature range	$^{\circ}\text{C}$	-40 to +80
Humidity		0-85% non-condensing
Data transmission type		RS485 / RS422
With SPD protection against voltages up to	kV	20
With SPD protection against currents up to	kA	10
Sealing (to IEC 529 / EN 60.529)		IP66
Material		Stainless steel
Weight	kg	1.3
Cable glands: acceptable cable diameter	mm	5 -10
Surge Protection Device		
Protection against voltage surges up to	kV	20
Protection against current surges up to	kA	10
Line to line protection		Yes
Line to ground protection		Yes
Line to ground let-through	V	<200
Screen to ground let-through	V	<400
Maximum current	mA	600
Printed circuit board dimensions	mm	80 x 60
Inductance per line	μH	110
DC resistance per line	Ω	<2.1
Wiring type		5 times twisted pair plus screen
Hexagonal mounting columns		3 x M4, 40mm





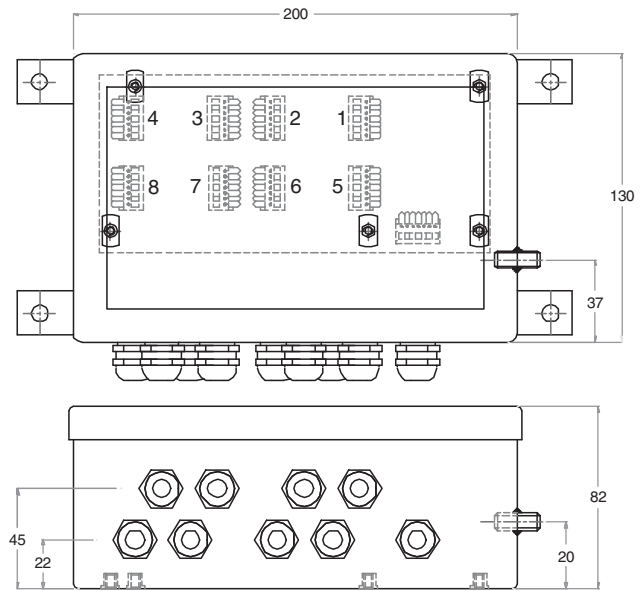
JB4: 4 SLC Junction Box

This Junction Box has a cable gland and two terminals for each SLC. One set of terminals has 7 connections to facilitate star connection. The other has 10 connections to facilitate looped configurations. Wiring details are given in the installation guidelines provided with the product.



JB8: 8 SLC Junction Box

This Junction Box has a cable gland and a terminal for each SLC. Terminals provide connections for up to 8 SLCs connected in a star configuration. Wiring details are given in the installation guidelines provided with the product.



Wiring for the junction box:

JB terminal	SPD wires
TX+	Yellow
TX-	Blue
RX+	Red
RX-	White
V+	Green
V-	Black
SCR	Orange

Wiring for the power supply:

JB terminal	SPD wires
B	Yellow
A	Blue
Z	Red
Y	White
V+	Green
V-	Black
GND	Orange

VISHAY TRANSDUCERS (VT) SALES OFFICES

VT Americas
 City of Industry, CA
 PH: +1-626-858-8899
 FAX: +1-626-332-3418
 vt.us@vishaymg.com

VMG UK
 Basingstoke
 PH: +44-125-646-2131
 FAX: +44-125-647-1441
 vt.uk@vishaymg.com

VMG Germany
 Heilbronn
 PH: +49-7131-3901-260
 FAX: +49-7131-3901-2666
 vt.de@vishaymg.com

VMG France
 Chartres
 PH: +33-2-37-33-31-20
 FAX: +33-2-37-33-31-29
 vt.fr@vishaymg.com

VT Netherlands
 Breda
 PH: +31-76-548-0700
 FAX: +31-76-541-2854
 vt.nl@vishaymg.com

VMG Israel
 Netanya
 PH: +972-9-863-8888
 FAX: +972-9-863-8800
 vt.il@vishaymg.com

VT China
 Tianjin
 PH: +86-22-2835-3503
 FAX: +86-22-2835-7261
 vt.prc@vishaymg.com

VT Taiwan*
 Taipei
 PH: +886-2-2696-0168
 FAX: +886-2-2696-4965
 vt.roc@vishaymg.com
 *Asia except China