

Miniature Double Ended Beam



FEATURES

- Capacities: 10 - 50t
- High side load tolerance
- Electroless nickel plated alloy tool steel
- Surge protection optional for 10t to 50t

OPTIONAL FEATURES

- Hermetically sealed available
- FM approval available

DESCRIPTION

MDB is designed for truck and rail scales in high capacities with low profile. The design of loading through a ball is insensitive to side load.

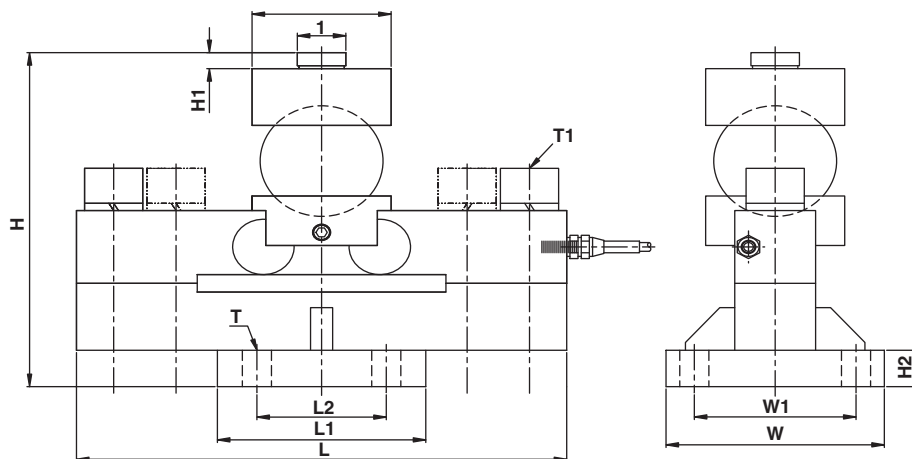
MDB is constructed of alloy steel and is fully potted and sealed with special chemical compounds to IP65 providing excellent protection against water and moisture at-

tack. MDB Hermetically-Sealed is constructed to IP67 providing excellent protection against corrosive and wash-down environments.

APPLICATIONS

- Truck / rail scales
- Silo / hopper / tank weighing

OUTLINE DIMENSIONS



Wiring diagram

- + Excitation Red
- Excitation Black
- + Signal Green
- Signal White

CAPACITY		L	L1	L2	H	H1	H2	Ø	Ø1	W	W1	T	T1
10/ 20/ 25/ 30t	mm	240	125	80	230	11	20	88	30	135	100	4-Ø18	2-M24
	(inch)	9.45	4.92	3.15	8.85	0.43	0.79	3.46	1.18	5.31	3.94		
40 - 50t	mm	340	160	124	261	11	20	98	40	160	124	4-Ø21	4-M24
	(inch)	13.38	6.30	4.88	10.28	0.43	0.79	3.86	1.57	6.30	4.88		

**SPECIFICATIONS**

PARAMETER	VALUE	UNIT
NTEP/OIML Accuracy class	Non-Approved	
Maximum no. of intervals (n)	3000	
$Y = E_{\max}/V_{\min}$	5000	Maximum available
Standard capacities (E_{\max})	10000, 20000, 25000, 30000, 40000, 50000	kg
Rated output-R.O.	2.0	mV/V
Rated output tolerance	0.2	±% of rated output
Zero balance	1	±% of rated output
Non linearity	0.030	±% of rated output
Hysteresis	0.030	±% of rated output
Non-repeatability	0.020	±% of rated output
Creep error (20 minutes)	0.030	±% of rated output
Zero return (20 minutes)	0.030	±% of rated output
Temperature effect on min. dead load output	0.0026	±% of rated output/°C
Temperature effect on sensitivity	0.0015	±% of applied load/°C
Compensated temperature range	-10 to +40	°C
Operating temperature range	-20 to +60	°C
Safe overload	150	% of R.C.
Ultimate overload	300	% of R.C.
Excitation, recommended	10	Vdc or Vac rms
Excitation, maximum	15	Vdc or Vac rms
Input impedance	770±10	Ohms
Output impedance	700±5	Ohms
Insulation resistance	>5000	Mega-Ohms
Cable length	13.5	m
Construction	Nickel plated alloy steel	
Environmental protection	IP67	

All specifications listed subject to change without notice.

FM Approval

Intrinsically Safe: Class I, II, III; Div. 1 Groups A-G

Non-Incendive: Class I; Div. 2 Groups A-D

VISHAY TRANSDUCERS (VT) SALES OFFICES

VT Americas
City of Industry, CA
PH: +1-626-858-8899
FAX: +1-626-332-3418
vt.us@vishaymg.com

VT Netherlands
Breda
PH: +31-76-548-0700
FAX: +31-76-541-2854
vt.nl@vishaymg.com

VMG UK
Basingstoke
PH: +44-125-646-2131
FAX: +44-125-647-1441
vt.uk@vishaymg.com

VMG Israel
Netanya
PH: +972-9-863-8888
FAX: +972-9-863-8800
vt.il@vishaymg.com

VMG Germany
Heilbronn
PH: +49-7131-3901-260
FAX: +49-7131-3901-2666
vt.de@vishaymg.com

VT China
Tianjin
PH: +86-22-2835-3503
FAX: +86-22-2835-7261
vt.prc@vishaymg.com

VMG France
Chartres
PH: +33-2-37-33-31-20
FAX: +33-2-37-33-31-29
vt.fr@vishaymg.com

VT Taiwan*
Taipei
PH: +886-2-2696-0168
FAX: +886-2-2696-4965
vt.roc@vishaymg.com
*Asia except China