

## Low Profile Compression Disk



### FEATURES

- Capacities: 5K, 10K, 25K, 50K, 100Klb
- Electroless nickel plated alloy tool steel
- Compact size with low profile
- Stainless Steel available
- Surge protection optional for 5K-100Klb

### OPTIONAL FEATURES

- FM approval available
- LCD-TT/M/MH with different loading holes

### DESCRIPTION

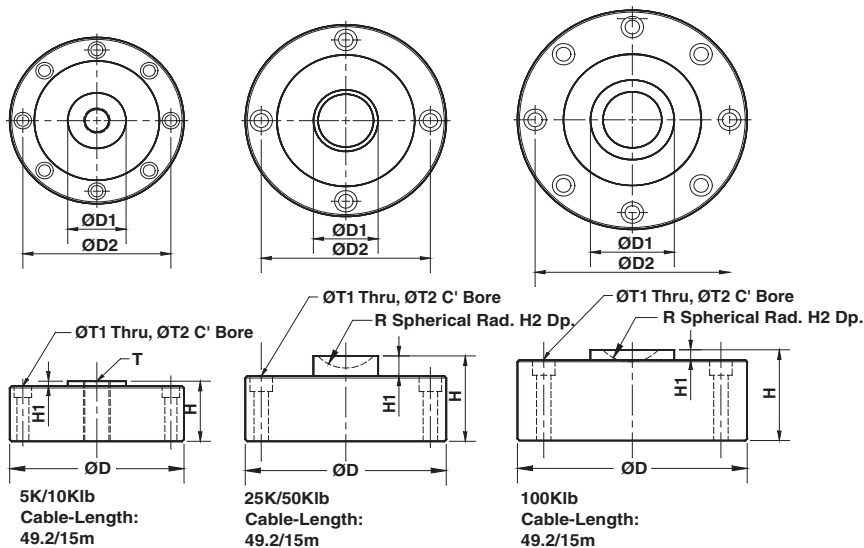
The low profile compression disk is designed as the ultimate solution for some difficult applications with critical height for safety reasons. The shear web design provides excellent performance even when the side force inevitably exists in normal operations. The typical example for side force resistance is the applications in motor truck scales.

LCD is constructed of alloy steel and fully potted with special chemical compounds to IP67 providing excellent protection against moisture and humidity.

### APPLICATIONS

- Truck / Rail scales
- Silo / Hopper / Tank weighing
- Universal Material Tester
- Tensile / Pulling Force Measurement

### OUTLINE DIMENSIONS



Wiring diagram

- + Excitation Red
- Excitation Black
- + Signal Green
- Signal White

CAPACITY		D	D1	D2	H	H1	H2	R	T	T1	T2
5K / 10Klb	mm	104.7	32.0	88.9	34.8	3.05	----	----	5/8-18UNF	7.2	10.5 x 7.2DP
	(inch)	4.12	1.26	3.50	1.37	0.12	----	----	----	0.28	0.41 x 0.28DP
25K / 50Klb	mm	120.7	38.9	101.6	53.8	12.7	7.6	22.2	----	8.7	13.5 x 9.7DP
	(inch)	4.75	1.53	4.00	2.12	0.50	0.30	0.87	----	0.34	0.53 x 0.38DP
100Klb	mm	138	50.4	116.8	57.2	6.4	7.6	22.2	----	10.13	16.5 x 11.0DP
	(inch)	5.43	1.98	4.60	2.25	0.25	0.30	0.87	----	0.41	0.65 x 0.43DP

**SPECIFICATIONS**

PARAMETER	VALUE	UNIT
NTEP/OIML Accuracy class	Non-Approved	
Maximum no. of intervals (n)	2000	
$Y = E_{max}/V_{min}$	5000	Maximum available
Standard capacities ( $E_{max}$ )	5K, 10K, 25K, 50K, 100K	lbs
Rated output-R.O.	4.0	mV/V
Rated output tolerance	0.25	±% of rated output
Zero balance	1	±% of rated output
Non linearity	0.050	±% of rated output
Hysteresis	0.050	±% of rated output
Non-repeatability	0.020	±% of rated output
Creep error (20 minutes)	0.030	±% of rated output
Zero return (20 minutes)	0.030	±% of rated output
Temperature effect on min. dead load output	0.0026	±% of rated output/°C
Temperature effect on sensitivity	0.0015	±% of applied load/°C
Compensated temperature range	-10 to +40	°C
Operating temperature range	-20 to +60	°C
Safe overload	150	% of R.C.
Ultimate overload	300	% of R.C.
Excitation, recommended	10	Vdc or Vac rms
Excitation, maximum	15	Vdc or Vac rms
Input impedance	385±5*	Ohms
Output impedance	350±3**	Ohms
Insulation resistance	>5000	Mega-Ohms
Construction	Nickel plated alloy steel	
Environmental protection	IP67	

\* 770±10 Ohms for 100Klbs.

\*\* 700±5 Ohms for 100Klbs.

All specifications listed subject to change without notice.

## FM Approval

Intrinsically Safe: Class I, II, III; Div. 1 Groups A-G

Non-Incendive: Class I; Div. 2 Groups A-D

**VISHAY TRANSDUCERS (VT) SALES OFFICES**

**VT Americas**  
City of Industry, CA  
PH: +1-626-858-8899  
FAX: +1-626-332-3418  
vt.us@vishaymg.com

**VT Netherlands**  
Breda  
PH: +31-76-548-0700  
FAX: +31-76-541-2854  
vt.nl@vishaymg.com

**VMG UK**  
Basingstoke  
PH: +44-125-646-2131  
FAX: +44-125-647-1441  
vt.uk@vishaymg.com

**VMG Israel**  
Netanya  
PH: +972-9-863-8888  
FAX: +972-9-863-8800  
vt.il@vishaymg.com

**VMG Germany**  
Heilbronn  
PH: +49-7131-3901-260  
FAX: +49-7131-3901-2666  
vt.de@vishaymg.com

**VT China**  
Tianjin  
PH: +86-22-2835-3503  
FAX: +86-22-2835-7261  
vt.prc@vishaymg.com

**VMG France**  
Chartres  
PH: +33-2-37-33-31-20  
FAX: +33-2-37-33-31-29  
vt.fr@vishaymg.com

**VT Taiwan\***  
Taipei  
PH: +886-2-2696-0168  
FAX: +886-2-2696-4965  
vt.roc@vishaymg.com  
\*Asia except China