

## Digital Compression Load Cell



### FEATURES

- Capacities: 30, 40 and 50t
- Digital output via RS-485 or RS-422 interface
- Self-aligning, stainless steel single column
- Hermetically sealed, IP66 and IP68
- Certified to OIML R-60, 4000d
- Internal diagnostics
- Internal lightning protection
- Maximum transmission distance 1200m

### OPTIONAL FEATURES

- Self-aligning mount available
- Operation manual - SLC

### DESCRIPTION

The DSC, Digital Single Column, is a stainless steel compression load cell with a digital output.

This digital output enables the user to communicate with each DSC independently of the others in the system, thus offering advantages in system setup, system control, corner correction, fault finding and load cell replacement.

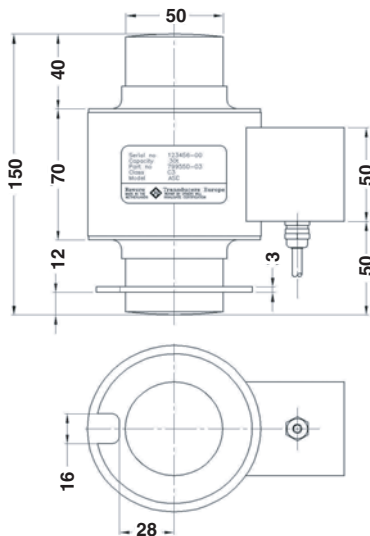
This product is suitable for use in road and rail weighbridges and process weighing applications.

The welded construction and built-in surge protection ensure that this product can be used successfully in harsh environments.

### APPLICATIONS

- Weighbridges
- Silo hopper weighing

### OUTLINE DIMENSIONS in millimeters



*Cable specifications:*

Cable length: 15m

Excitation +	Green
Excitation -	Black
Rx +	Yellow
Rx -	Blue
Tx +	Red
Tx -	White
Shield	Transparent

**SPECIFICATIONS**

PARAMETER	VALUE			UNIT
Standard capacities ( $E_{max}$ )	30, 40, 50			ton
Accuracy class according to OIML R-60	Non-approved	C3	C4	
Maximum no. of verification intervals (n)		3000	4000	
Minimum verification interval ( $V_{min}=E_{max}/Y$ )		$E_{max}/6,000$	$E_{max}/8,000$	
Minimum verification interval, type MR		$E_{max}/15,000$	$E_{max}/20,000$	
Rated output (=S)	240,000			counts
Tolerance on rated output	200			±counts
Zero balance	200			±counts
Combined error	0.0500	0.023	0.018	±% FSO
Non-repeatability	0.070	0.035	0.026	±% FSO
Minimum dead load output return	0.0500	0.017	0.013	±% applied load
Minimum dead load output return, type MI7.5	-	0.0067	0.0067	±% applied load
Creep error (30 minutes)	0.0600	0.025	0.0184	±% applied load
Creep error (20 - 30 minutes)	0.0200	0.0053	0.0039	±% applied load
Temp. effect on min. dead load output	0.0250	0.0117	0.0088	±% FSO/5°C
Temp. effect on min. dead load output MR		0.0047	0.0035	±% FSO/5°C
Temperature effect on sensitivity	0.0250	0.0088	0.0065	±% applied load/5°C
Compensated temperature range	-10 to +40			°C
Operating temperature range	-40 to +80			°C
Storage temperature range	-40 to +90			°C
Minimum dead load	0			% $E_{max}$
Safe dead load	150			% $E_{max}$
Ultimate load	300			% $E_{max}$
Deflection at $E_{max}$	0.50			mm
Excitation voltage	12.5 to 18.0			Vdc
Recommended excitation voltage	15			Vdc
Maximum current consumption	80			mA
Start up current	150			mA
Insulation resistance	>5000			MΩ
Element material (DIN)	Stainless steel 1.4542			
Sealing (DIN 40.050 / EN60.529 / IEC 529)	IP66 and IP68			
Signal update per second	25			
Baudrate	9600			Bits/s
Transmission type	Asynchronous serial transmission			
Start bits	1			
Data bits	7			
Stop bits	1			
Parity	Odd			
Maximum transmission cable length	1200			m
Data transmission interface	RS422 (4 communication wires) / RS485 (2 communication wires)			

Correct mounting of the load cells is essential to ensure optimum accuracy and performance. Further information is available upon request.

FSO - Full Scale Output

**VISHAY TRANSDUCERS (VT) SALES OFFICES**

**VT Americas**  
City of Industry, CA  
PH: +1-626-858-8899  
FAX: +1-626-332-3418  
vt.us@vishaymg.com

**VMG UK**  
Basingstoke  
PH: +44-125-646-2131  
FAX: +44-125-647-1441  
vt.uk@vishaymg.com

**VMG Germany**  
Heilbronn  
PH: +49-7131-3901-260  
FAX: +49-7131-3901-2666  
vt.de@vishaymg.com

**VMG France**  
Chartres  
PH: +33-2-37-33-31-20  
FAX: +33-2-37-33-31-29  
vt.fr@vishaymg.com

**VT Netherlands**  
Breda  
PH: +31-76-548-0700  
FAX: +31-76-541-2854  
vt.nl@vishaymg.com

**VMG Israel**  
Netanya  
PH: +972-9-863-8888  
FAX: +972-9-863-8800  
vt.il@vishaymg.com

**VT China**  
Tianjin  
PH: +86-22-2835-3503  
FAX: +86-22-2835-7261  
vt.prc@vishaymg.com

**VT Taiwan\***  
Taipei  
PH: +886-2-2696-0168  
FAX: +886-2-2696-4965  
vt.roc@vishaymg.com  
\*Asia except China