

Multi-Column Compression Load Cell



FEATURES

- Capacity range: 10t - 100t
- Low profile
- 4 column design ensures low sensitivity to eccentric loads
- Hermetically sealed to IP68
- Full stainless steel welded construction for washdown and harsh environments
- OIML approved to 3500d (OIML R60)
- Easy corner calibration with current matched (mV/V)/ohm output

OPTIONAL FEATURE

- V_{\min} approval limit: $y = E_{\max}/V_{\min} = 23,333$

DESCRIPTION

The Model CSP is a multi-column compression load cell.

Full stainless steel hermetically sealed construction to IP68 ensures reliable performance in harsh, washdown areas.

The proven, four column design provides high accuracy and low sensitivity to eccentric loads.

Output calibration by current matching (mV/V)/ohm eliminates time consuming

corner calibration procedures in multicell applications.

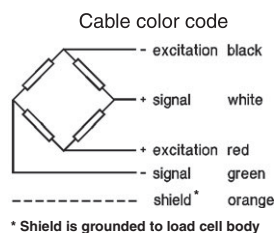
Vishay Transducers CSP load cells are directly interchangeable with existing Revere CSP-M cells.

OIML C3.5 (3500 divisions) approval is standard.

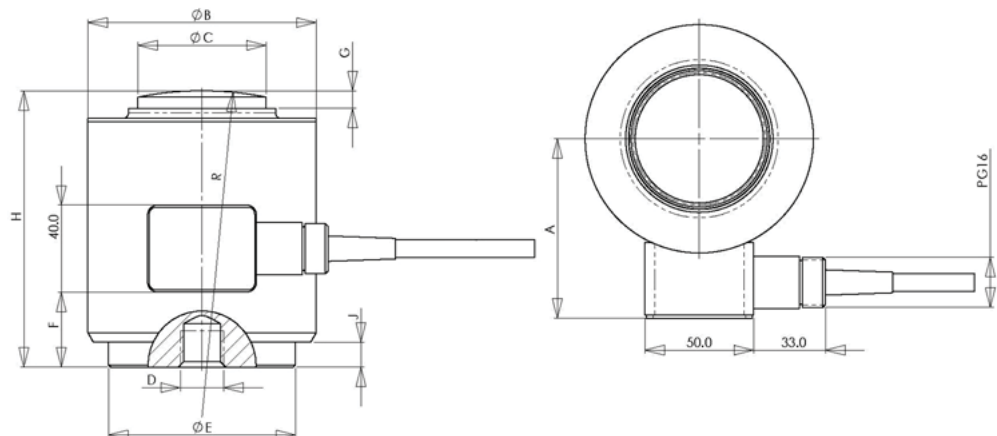
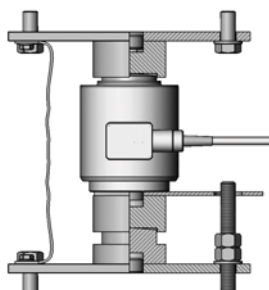
APPLICATIONS

- Truck weighbridges
- Silo and hopper weighing
- Train "rail" scales
- Process weighing

OUTLINE DIMENSIONS in millimeters



Optional mounting kit-consult VT Sales Office



Capacity	A	B	C	D	E	F	G	H	J	R
10 - 25t	63	72	32	M12 x 8 deep	57	13	7	83	2	150
40 - 60t	83	105	59	M20 x 15 deep	86	35	8	127	11	150
100t	107	150	80	M20 x 15 deep	124	70	22	185	20	430



SPECIFICATIONS

PARAMETER	VALUE			UNIT
Rated capacity-R.C. (E_{max}) ^	10000, 25000, 40000, 60000, 100000			kg
NTEP/OIML Accuracy class	C1/20 (ref.)	C3/30	C3.5/30	
Maximum no. of intervals (n)	1000 (ref.)	3000	3500	
$Y = E_{max}/V_{min}$ *	5000	10000	11667	
Rated output-R.O.	2.0			mV/V
Rated output tolerance	0.02			±mV/V
Zero balance	0.02			±mV/V
U/R ratio error	0.05			±%
Nominal U/R ratio	0.00417			(mV/V)/ Ω
Total Error	0.030	0.020	0.018	±% of R.O.
Creep (30 min.)	0.070	0.023	0.020	±% of load
Zero return (30 min.)	0.050	0.017	0.014	±% of load
Temperature effect on output	0.003	0.0012	0.001	±% of load/°C
Temperature effect on zero	0.0028	0.0014	0.0012	±% of R.O./°C
Temperature range, compensated	-10 to +40			°C
Temperature range, safe	-40 to +80			°C
Temperature range, storage	-40 to +90			°C
Maximum safe static overload	150			% of R.C.
Ultimate static overload	400			% of R.C.
Maximum safe side load	10			% of R.C.
Excitation, recommended	10			Vdc or Vac rms
Excitation, range	5 ÷ 20			Vdc or Vac rms
Input impedance	450±4.5			Ω
Output impedance	480±4.8			Ω
Insulation resistance	>2000			MΩ
Cable length	10000 kg: all other capacities:	10 20		m
Cable type	4 conductors, (AWG 20) PVC jacket grounded shield			
Construction	Stainless steel, welded seal			
Environmental protection (per DIN 40050)	Hermetically sealed, IP68			

* Approval limit, $Y = 23333$

** Available approval for use in potentially explosive atmospheres: II 2G EEx ia IIC T4

VISHAY TRANSDUCERS (VT) SALES OFFICES

VT Americas
City of Industry, CA
PH: +1-626-858-8899
FAX: +1-626-332-3418
vt.us@vishaymg.com

VT Netherlands
Breda
PH: +31-76-548-0700
FAX: +31-76-541-2854
vt.nl@vishaymg.com

VMG UK
Basingstoke
PH: +44-125-646-2131
FAX: +44-125-647-1441
vt.uk@vishaymg.com

VMG Israel
Netanya
PH: +972-9-863-8888
FAX: +972-9-863-8800
vt.il@vishaymg.com

VMG Germany
Heilbronn
PH: +49-7131-3901-260
FAX: +49-7131-3901-2666
vt.de@vishaymg.com

VT China
Tianjin
PH: +86-22-2835-3503
FAX: +86-22-2835-7261
vt.prc@vishaymg.com

VMG France
Chartres
PH: +33-2-37-33-31-20
FAX: +33-2-37-33-31-29
vt.fr@vishaymg.com

VT Taiwan*
Taipei
PH: +886-2-2696-0168
FAX: +886-2-2696-4965
vt.roc@vishaymg.com
*Asia except China



Notice

Specifications of the products displayed herein are subject to change without notice. Vishay Intertechnology, Inc., or anyone on its behalf, assumes no responsibility or liability for any errors or inaccuracies.

Information contained herein is intended to provide a product description only. No license, express or implied, by estoppel or otherwise, to any intellectual property rights is granted by this document. Except as provided in Vishay's terms and conditions of sale for such products, Vishay assumes no liability whatsoever, and disclaims any express or implied warranty, relating to sale and/or use of Vishay products including liability or warranties relating to fitness for a particular purpose, merchantability, or infringement of any patent, copyright, or other intellectual property right.

The products shown herein are not designed for use in medical, life-saving, or life-sustaining applications. Customers using or selling these products for use in such applications do so at their own risk and agree to fully indemnify Vishay for any damages resulting from such improper use or sale.