

# Model 120

Vishay Tedeo-Huntleigh



## High Capacity Compression Load Cell



ATEX

### FEATURES

- Capacities 5 - 50 ton
- Stainless steel housing
- Surge arrestors fitted
- Simple to install
- 0.02% total error
- 6 wire sense circuit
- Output tolerance 0.1%

### OPTIONAL FEATURE

- EEx ia IIC T4 - hazardous area approval
- Model 121 with anti rotation groove

### DESCRIPTION

Model 120 is a high capacity truck scale and silo load cell which is supplied complete with its own unique rocker mounting components.

Suitable for all heavy duty weighing applications the 120 gives the user high accuracy and low installation cost.

The 120 has a stainless steel housing to protect against corrosion. The alloy steel compression element is nickel plated, and

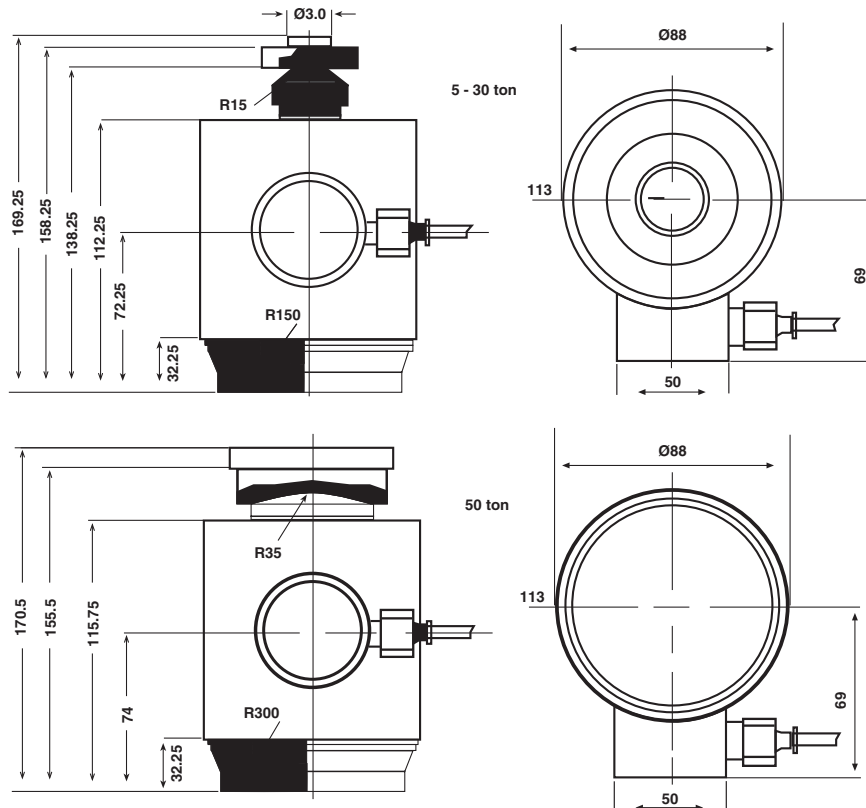
the rocker mounting accessories are zinc plated alloy steel.

The two additional sense wires feed back the voltage reaching the load cell. Complete compensation of change in lead resistance due to temperature change and/or cable extension, is achieved by feeding this voltage into the appropriate electronics.

### APPLICATIONS

- Truck weighbridges
- Silo and hopper weighing
- Train "rail" scales
- Process weighing

### OUTLINE DIMENSIONS in millimeters



### Regional Distributor

803, Riqqa Palace Building, Al-Maktum Ave. P.O.Box 181802 Dubai, UAE  
Tel.: +97 14 2270081 Fax: +97 14 2239962 rscso@eim.ae www.rcs-co.com

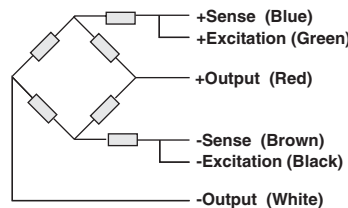


**SPECIFICATIONS**

PARAMETER	VALUE		UNIT
Rated capacity-R.C. ( $E_{max}$ )	5, 10, 20, 30, 50		ton
NTEP/OIML Accuracy class	Non-Approved*		
Maximum no. of intervals (n)	1000	3000	
$Y = E_{max}/V_{min}$	2000	6000	
Rated output-R.O.	1.5		mV/V
Rated output tolerance	0.15		±mV/V
Zero balance	0.15		±mV/V
Zero Return, 30 min.	0.0500	0.0200	±% of applied load
Total Error (per OIML R60)	0.0500	0.0200	±% of rated output
Temperature effect on zero	0.0100	0.0040	±% of rated output/°C
Temperature effect on output	0.0050	0.0040	±% of load/°C
Temperature range, compensated	-10 to +40		°C
Temperature range, safe	-20 to +70		°C
Maximum safe central overload	150		% of R.C.
Ultimate central overload	300		% of R.C.
Excitation, recommended	10		Vdc or Vac rms
Excitation, maximum	24		Vdc or Vac rms
Input impedance	670±15		Ohms
Output impedance	605±5		Ohms
Insulation resistance	>2000		Mega-Ohms
Cable length	15		m
Cable type	6 wire, braided, Polyurethane, dual floating screen		Standard
Construction	Stainless steel housing, plated alloy steel element		
Environmental protection	IP67		

\* Typical 80% utilization

**Wiring Schematic Diagram**



**VISHAY TRANSDUCERS (VT) SALES OFFICES**

**VT Americas**  
 City of Industry, CA  
 PH: +1-626-858-8899  
 FAX: +1-626-332-3418  
 vt.us@vishaymg.com

**VT Netherlands**  
 Breda  
 PH: +31-76-548-0700  
 FAX: +31-76-541-2854  
 vt.nl@vishaymg.com

**VMG UK**  
 Basingstoke  
 PH: +44-125-646-2131  
 FAX: +44-125-647-1441  
 vt.uk@vishaymg.com

**VMG Israel**  
 Netanya  
 PH: +972-9-863-8888  
 FAX: +972-9-863-8800  
 vt.il@vishaymg.com

**VMG Germany**  
 Heilbronn  
 PH: +49-7131-3901-260  
 FAX: +49-7131-3901-2666  
 vt.de@vishaymg.com

**VT China**  
 Tianjin  
 PH: +86-22-2835-3503  
 FAX: +86-22-2835-7261  
 vt.prc@vishaymg.com

**VMG France**  
 Chartres  
 PH: +33-2-37-33-31-20  
 FAX: +33-2-37-33-31-29  
 vt.fr@vishaymg.com

**VT Taiwan\***  
 Taipei  
 PH: +886-2-2696-0168  
 FAX: +886-2-2696-4965  
 vt.roc@vishaymg.com  
 \*Asia except China