

# Single Column, Compression, Rocker Load Cell



## FEATURES

- Capacity range: 35t and 55t
- Double rocker, self-aligning design
- Full stainless steel construction
- OIML approved to 6000d (OIML R60)
- Easy corner calibration with current matched (mV/V)/ohm output
- Sealed by welding to IP68
- Low profile design (height 35t = 125mm, 55t = 153mm)

## OPTIONAL FEATURES

- II 2G EEx ia IIC T4 - ATEX hazardous area approval
- $V_{min}$  approval limit:  $y = E_{max}/V_{min} = 23,333$
- Mounting kit with integral anti-rotation restraint

## DESCRIPTION

The Model 115 is a single column, double rocker load cell with inherent self-aligning capability.

Full stainless steel welded construction, conforming to IP68, ensures reliable performance in harsh, washdown areas.

Approvals include OIML C6 (6000 divisions) and optional II 2G EEx ia IIC T4 - ATEX conformation for hazardous areas.

Output calibration by current matching (mV/V)/ohm eliminates time consuming corner calibration procedures in multicell applications

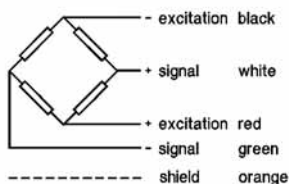
Available mounting hardware provides easy installation for weighbridge applications.

## APPLICATIONS

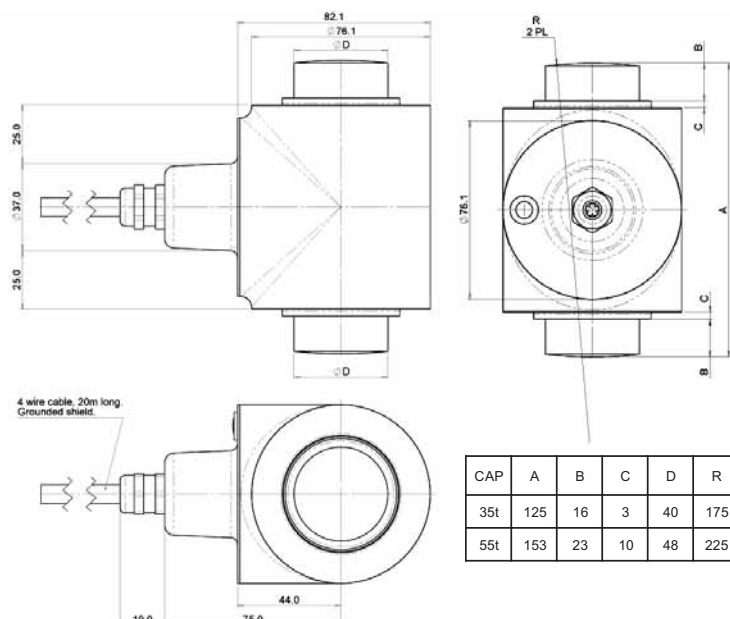
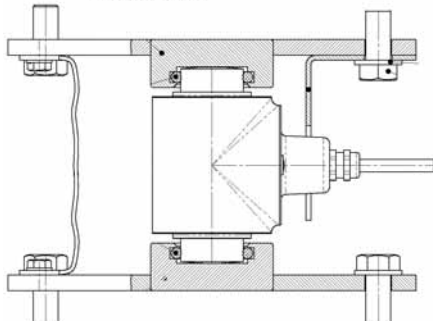
- Truck weighbridges
- Silo and hopper weighing
- Train "rail" scales
- Process weighing

## OUTLINE DIMENSIONS in millimeters

Cable color code



Optional mounting kit - consult VT Sales Office



# Model 115

Vishay Tedea-Huntleigh

Single Column, Compression,  
Rocker Load Cell



## SPECIFICATIONS

PARAMETER	VALUE				UNIT
Rated capacity-R.C. ( $E_{max}$ )	35, 55				ton
NTEP/OIML Accuracy class	C1*	C3**	C3.5**	C6***	
Maximum no. of intervals (n)	1000	3000	3500	6000	
$Y = E_{max}/V_{min}$	5000	10000	11667	11667	Maximum available
Rated output-R.O.	2.0				mV/V
Rated output tolerance	0.1				±% of rated output
Zero balance	0.2				+mV/V
Total Error	0.030	0.020	0.018	0.010	±% of rated output
Zero Return, 30 min.	0.050	0.017	0.0140	0.0083	±% of applied load
Temperature effect on zero	0.0028	0.0014	0.0012	0.0012	±% of rated output/°C
Temperature effect on output	0.0023	0.0012	0.0010	0.00058	±% of applied load/°C
Temperature range, compensated	-10 to +40				°C
Temperature range, safe	-40 to +80				°C
Temperature range, storage	-40 to +90				°C
Maximum safe central overload	150				% of R.C.
Ultimate central overload	300				% of R.C.
Maximum safe sideload	10				% of R.C.
Excitation, recommended	10				Vdc or Vac rms
Excitation range	5 ... 20				Vdc or Vac rms
Input impedance	1200±60				Ohms
Output impedance	1000±10				Ohms
Insulation resistance	>2000				Mega-Ohms
Cable length	20				m
Cable type	4 wire, 0.75mm <sup>2</sup> PVC jacket grounded shield				Standard
Construction	Stainless steel, welded seal				
Environmental protection	IP68				

- \* 20% utilization (reference)
- \*\* 30% utilization
- \*\*\* 52% utilization

## VISHAY TRANSDUCERS (VT) SALES OFFICES

**VT Americas**  
City of Industry, CA  
PH: +1-626-858-8899  
FAX: +1-626-332-3418  
vt.us@vishaymg.com

**VT Netherlands**  
Breda  
PH: +31-76-548-0700  
FAX: +31-76-541-2854  
vt.nl@vishaymg.com

**VMG UK**  
Basingstoke  
PH: +44-125-646-2131  
FAX: +44-125-647-1441  
vt.uk@vishaymg.com

**VMG Israel**  
Netanya  
PH: +972-9-863-8888  
FAX: +972-9-863-8800  
vt.il@vishaymg.com

**VMG Germany**  
Heilbronn  
PH: +49-7131-3901-260  
FAX: +49-7131-3901-2666  
vt.de@vishaymg.com

**VT China**  
Tianjin  
PH: +86-22-2835-3503  
FAX: +86-22-2835-7261  
vt.prc@vishaymg.com

**VMG France**  
Chartres  
PH: +33-2-37-33-31-20  
FAX: +33-2-37-33-31-29  
vt.fr@vishaymg.com

**VT Taiwan\***  
Taipei  
PH: +886-2-2696-0168  
FAX: +886-2-2696-4965  
vt.roc@vishaymg.com  
\*Asia except China



## Notice

Specifications of the products displayed herein are subject to change without notice. Vishay Intertechnology, Inc., or anyone on its behalf, assumes no responsibility or liability for any errors or inaccuracies.

Information contained herein is intended to provide a product description only. No license, express or implied, by estoppel or otherwise, to any intellectual property rights is granted by this document. Except as provided in Vishay's terms and conditions of sale for such products, Vishay assumes no liability whatsoever, and disclaims any express or implied warranty, relating to sale and/or use of Vishay products including liability or warranties relating to fitness for a particular purpose, merchantability, or infringement of any patent, copyright, or other intellectual property right.

The products shown herein are not designed for use in medical, life-saving, or life-sustaining applications. Customers using or selling these products for use in such applications do so at their own risk and agree to fully indemnify Vishay for any damages resulting from such improper use or sale.