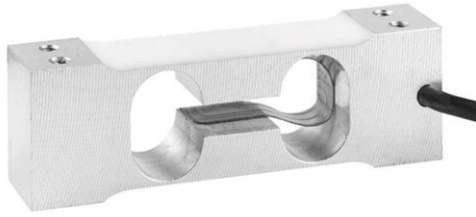


## Aluminum Single Point Load Cell



### FEATURES

- Capacities 2 - 5kg
- Aluminum construction
- Single point 200 x 200mm platform
- IP66 protection
- Total error better than 0.0067% of R.O.

### DESCRIPTION

Model 1006 is a very low capacity, high precision single point load cell designed for direct mounting in low capacity scales.

This load cell is suitable for applications including postal scales, counting scales, general purpose weighing scales and is also suitable for a wide variety of force measurement applications, such as industrial process control or specialist medical devices.

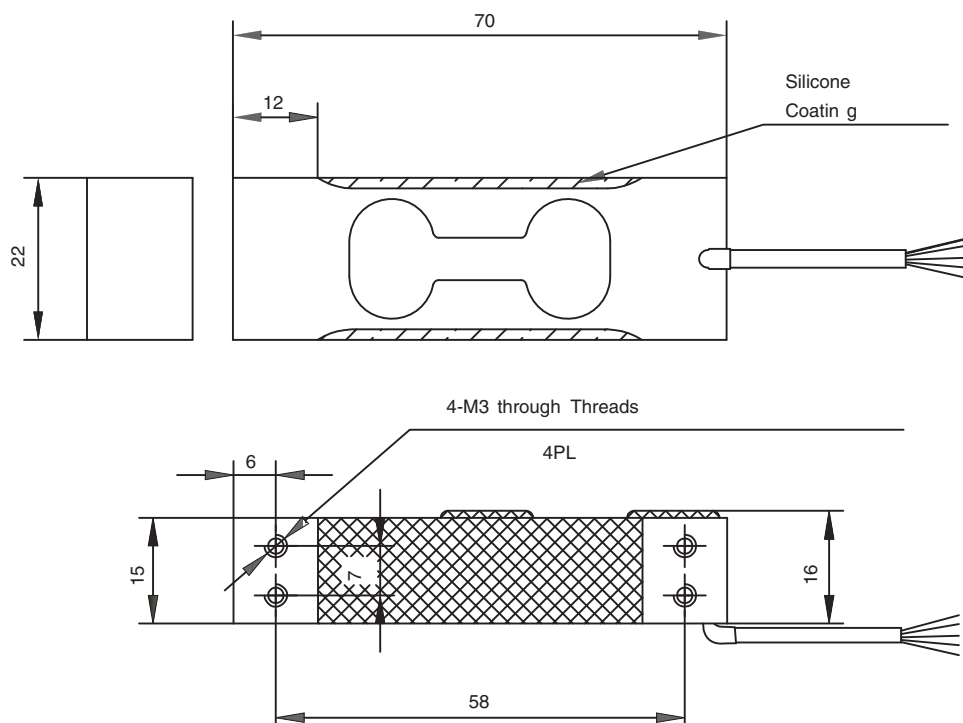
Model 1006 offers very high performance from a very small size. It is very easy to

use, and easy to apply in a wide variety of applications, where the acting center of force application is within 100mm of the load cell vertical axis.

### APPLICATIONS

- Bench scales
- Counting scales
- Grocery scales

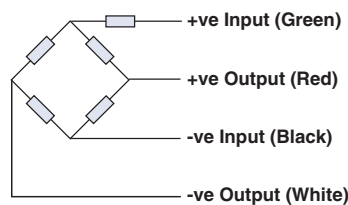
### OUTLINE DIMENSIONS in millimeters



### SPECIFICATIONS

PARAMETER	VALUE		UNIT
	Non-Approved	G	
Accuracy class			
Maximum no. of intervals (n)	1000	3000	
Rated capacity-R.C. ( $E_{max}$ )	2, 3, 5		kg
Rated output-R.O.	2.0		mV/V
Rated output tolerance	0.2		±mV/V
Zero balance	0.2		+mV/V
Zero Return, 30 min.	0.050	0.0170	±% of applied load
Total Error	0.0300	0.0200	±% of rated output
Temperature effect on zero	0.0100	0.0040	±% of rated output/°C
Temperature effect on output	0.0030	0.0010	±% of load/°C
Eccentric loading error	0.0074	0.0057	±% of rated load/cm
Temp. range, compensated	-10 to +40		°C
Temp. range, safe	-20 to +70		°C
Maximum safe central overload	150		% of R.C.
Ultimate central overload	300		% of R.C.
Excitation, recommended	10		Vdc or Vac rms
Excitation, maximum	15		Vdc or Vac rms
Input impedance	415±20		Ohms
Output impedance	350±3		Ohms
Insulation resistance	>2000		Mega-Ohms
Cable length	0.4		m
Cable type	4 wire, PVC, single floating screen		Standard
Construction	Aluminum		
Environmental protection	IP66		
Platform size (max)	200 x 200		mm
Recommended torque	2 & 3kg - 4.0 5kg - 6.0		N*m

Wiring Schematic Diagram  
(Unbalanced bridge configuration)



### VISHAY TRANSDUCERS (VT) SALES OFFICES

**VT Americas**  
City of Industry, CA  
PH: +1-626-858-8899  
FAX: +1-626-332-3418  
vt.us@vishaymg.com

**VT Netherlands**  
Breda  
PH: +31-76-548-0700  
FAX: +31-76-541-2854  
vt.nl@vishaymg.com

**VMG UK**  
Basingstoke  
PH: +44-125-646-2131  
FAX: +44-125-647-1441  
vt.uk@vishaymg.com

**VMG Israel**  
Netanya  
PH: +972-9-863-8888  
FAX: +972-9-863-8800  
vt.il@vishaymg.com

**VMG Germany**  
Heilbronn  
PH: +49-7131-3901-260  
FAX: +49-7131-3901-2666  
vt.de@vishaymg.com

**VT China**  
Tianjin  
PH: +86-22-2835-3503  
FAX: +86-22-2835-7261  
vt.prc@vishaymg.com

**VMG France**  
Chartres  
PH: +33-2-37-33-31-20  
FAX: +33-2-37-33-31-29  
vt.fr@vishaymg.com

**VT Taiwan\***  
Taipei  
PH: +886-2-2696-0168  
FAX: +886-2-2696-4965  
vt.roc@vishaymg.com  
\*Asia except China



## Notice

Specifications of the products displayed herein are subject to change without notice. Vishay Intertechnology, Inc., or anyone on its behalf, assumes no responsibility or liability for any errors or inaccuracies.

Information contained herein is intended to provide a product description only. No license, express or implied, by estoppel or otherwise, to any intellectual property rights is granted by this document. Except as provided in Vishay's terms and conditions of sale for such products, Vishay assumes no liability whatsoever, and disclaims any express or implied warranty, relating to sale and/or use of Vishay products including liability or warranties relating to fitness for a particular purpose, merchantability, or infringement of any patent, copyright, or other intellectual property right.

The products shown herein are not designed for use in medical, life-saving, or life-sustaining applications. Customers using or selling these products for use in such applications do so at their own risk and agree to fully indemnify Vishay for any damages resulting from such improper use or sale.