

## S-Type Alloy Steel Load Cell


**ATEX**
**FEATURES**

- Capacities 1500 to 5000kg
- Alloy steel construction
- Sealing: welded to IP67
- S-Type design for use in tension and compression
- Choice of mounting threads Metric or Unified systems
- Six wire cable (sense circuit)

**OPTIONAL FEATURE**

- EEx ia IIC T6-ATEX hazardous area approval

**DESCRIPTION**

Model 619 is a low cost tension-compression load cell made from nickel plated alloy steel and has bonded covers for additional protection. It is suitable for use in a wide range of weighing, process weighing, force measurement and industrial process control applications.

Protected to meet IP67 requirements, the construction of the 619 load cell allows its use in most industrial process applications.

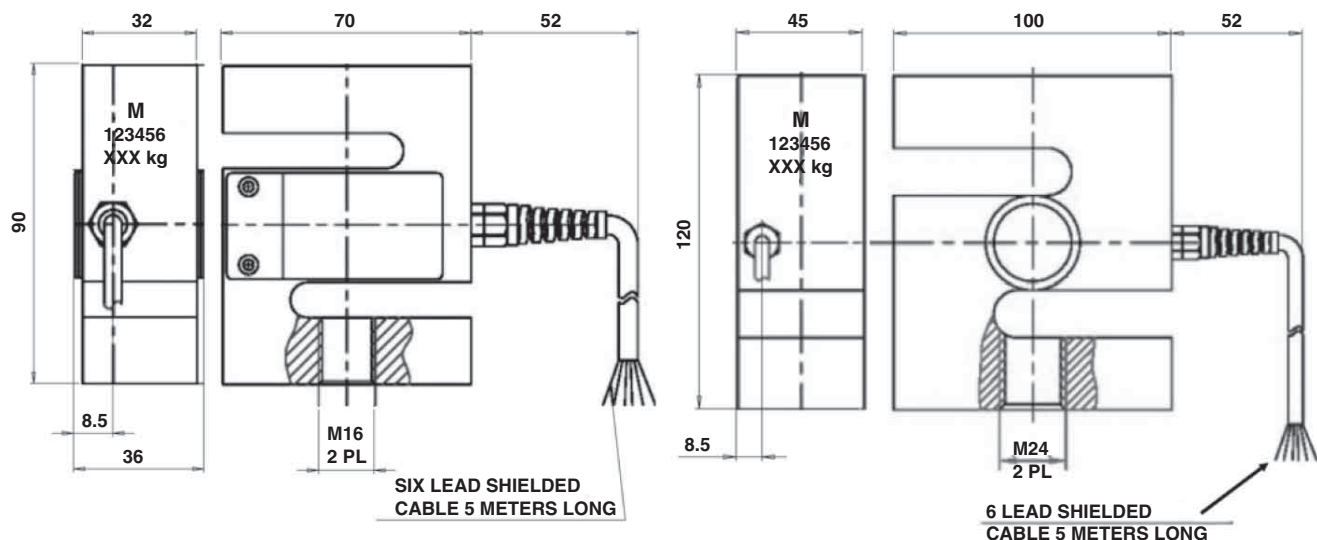
For IP68 requirements, select the fully-welded stainless steel model 620, which

shares the same dimensions as model 619.

The additional sense wires compensate for changes in lead resistance due to temperature change and/or cable extension. Complete compensation of changes in lead resistance is achieved by feeding this voltage into appropriate electronics.

**APPLICATIONS**

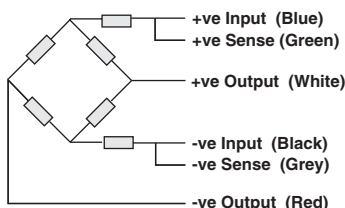
- Hopper (tank weighing)
- Hybrid scales
- Belt weighing
- Lever arm conversions
- Material testing machines
- Vibrations filling equipment
- Dynamometers

**OUTLINE DIMENSIONS** in millimeters


## SPECIFICATIONS

PARAMETER	VALUE		UNIT
Rated capacity-R.C. ( $E_{max}$ )	1500, 2000, 3000, 5000		kg
Accuracy class	<b>E</b>	<b>G</b>	
Maximum no. of intervals (n)	1000	3000	
Rated output-R.O.	2.0		mV/V
Rated output tolerance	0.002		±mV/V
Zero balance	0.2		±mV/V
Zero Return, 30 min.	0.050	0.0170	±% of applied load
Total Error	0.050	0.020	±% of rated output
Temperature effect on zero	0.030	0.0040	±% of rated output/°C
Temperature effect on output	0.0030	0.0012	±% of applied load/°C
Temperature range, compensated	-10 to +40		°C
Temperature range, safe	-20 to +70		°C
Maximum safe central overload	150		% of R.C.
Ultimate central overload	300		% of R.C.
Excitation, recommended	10		Vdc or Vac rms
Excitation, maximum	15		Vdc or Vac rms
Input impedance	385±15		Ohms
Output impedance	350±3		Ohms
Insulation resistance	>2000		Mega-Ohms
Cable length	5.0		m
Cable type	6 wire, braided, PVC, dual floating screen		Standard
Construction	Nickel plated alloy tool steel		
Environmental protection	IP67		

### Wiring Schematic Diagram



## VISHAY TRANSDUCERS (VT) SALES OFFICES

**VT Americas**  
 City of Industry, CA  
 PH: +1-626-858-8899  
 FAX: +1-626-332-3418  
 vt.us@vishaymg.com

**VT Netherlands**  
 Breda  
 PH: +31-76-548-0700  
 FAX: +31-76-541-2854  
 vt.nl@vishaymg.com

**VMG UK**  
 Basingstoke  
 PH: +44-125-646-2131  
 FAX: +44-125-647-1441  
 vt.uk@vishaymg.com

**VMG Israel**  
 Netanya  
 PH: +972-9-863-8888  
 FAX: +972-9-863-8800  
 vt.il@vishaymg.com

**VMG Germany**  
 Heilbronn  
 PH: +49-7131-3901-260  
 FAX: +49-7131-3901-2666  
 vt.de@vishaymg.com

**VT China**  
 Tianjin  
 PH: +86-22-2835-3503  
 FAX: +86-22-2835-7261  
 vt.prc@vishaymg.com

**VMG France**  
 Chartres  
 PH: +33-2-37-33-31-20  
 FAX: +33-2-37-33-31-29  
 vt.fr@vishaymg.com

**VT Taiwan\***  
 Taipei  
 PH: +886-2-2696-0168  
 FAX: +886-2-2696-4965  
 vt.roc@vishaymg.com  
 \*Asia except China



## Notice

Specifications of the products displayed herein are subject to change without notice. Vishay Intertechnology, Inc., or anyone on its behalf, assumes no responsibility or liability for any errors or inaccuracies.

Information contained herein is intended to provide a product description only. No license, express or implied, by estoppel or otherwise, to any intellectual property rights is granted by this document. Except as provided in Vishay's terms and conditions of sale for such products, Vishay assumes no liability whatsoever, and disclaims any express or implied warranty, relating to sale and/or use of Vishay products including liability or warranties relating to fitness for a particular purpose, merchantability, or infringement of any patent, copyright, or other intellectual property right.

The products shown herein are not designed for use in medical, life-saving, or life-sustaining applications. Customers using or selling these products for use in such applications do so at their own risk and agree to fully indemnify Vishay for any damages resulting from such improper use or sale.