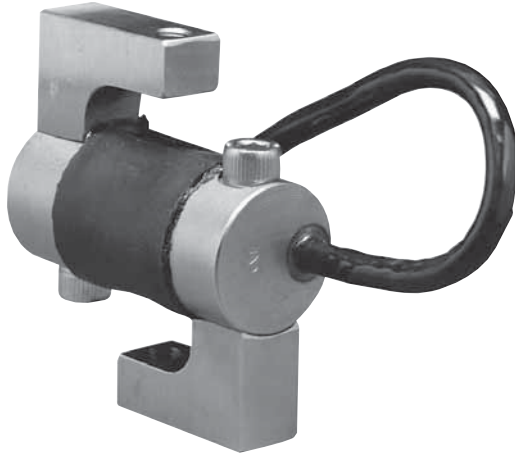


S-Beam Load Cell



FEATURES

- Rated capacities of 25 to 250 pounds
- Alternative mounting configurations
- 20 feet standard cable length
- Constructed of high quality alloy tool steel
- Nickel plated for corrosion resistance
- Compact design
- Exceeds NIST H-44 performance requirements
- Factory Mutual System Approved for Classes I, II, III; Divisions 1 and 2; Groups A through G. Also, Non-incendive ratings (No Barriers!).
- ISO 9001:2000 Certified manufacturing facilities

APPLICATIONS

- Tank, bin and hopper weighing
- Tension measurements
- Single or multiple load cell configurations

RATED CAPACITIES
lbs
25, 50, 75, 100, 150, 250

FULL SCALE OUTPUT (FSO)
lbs
3.0 mV/V \pm 0.25%



ISO
9001:2000

**Factory
Mutual
System**
Approved

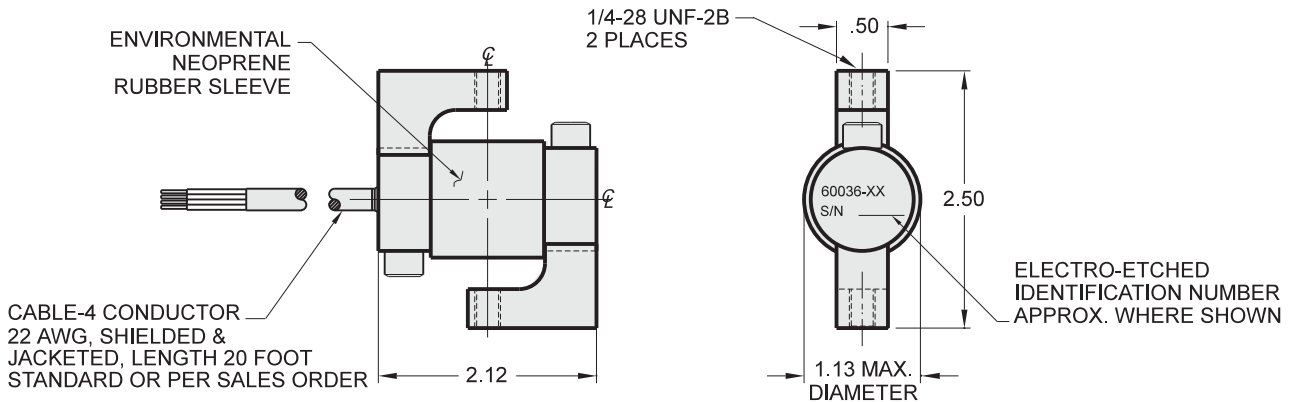


ACCURACY CLASS	
	STANDARD
Max. No. Verification Intervals	--
Combined Error % FSO	≤ 0.03
Nonlinearity % FSO	≤ 0.03
Hysteresis % FSO	≤ 0.02
Creep Error % FSO	≤ 0.03 in 20 minutes
Temperature Effect on: Zero % FSO/°F Output % of Load/°F	≤ 0.0015 ≤ 0.0008

PERFORMANCE SPECIFICATIONS

Non-Repeatability % FSO: ≤ 0.1
Zero Balance % FSO: ≤ 1.0
Insulation Resistance: >1000 Mohms at 50 VDC
Compensated Temp. Range: 14° to 104°F [-10° to 40°C]
Operating Temp. Range: 0° to 150°F [-18° to 65°C]
Storage Temp. Range: -60° to 185°F [-50° to 85°C]
Input Resistance: 380-450 Ohms
Output Resistance: 349-355 Ohms
Recommended Excitation Voltage: 10 Volts DC
Maximum Excitation Voltage: 15 Volts DC
Safe Overload: 150% of Rated Capacity
Ultimate Overload: 300% of Rate Capacity
Sealing: Sealed Neoprene Boot
Material: Alloy Tool Steel
Finish: Electroless Nickel Plated

DIMENSIONAL OUTLINE DRAWING in inches



WIRING

+ Excitation = Red; - Excitation = Black; + Output = Green;
 - Output = White

Dimensions are in inches. Capacities are in pounds. Deflection is ±10%. Specifications are subject to change. Certified drawings are available.

VISHAY TRANSDUCERS (VT) - SALES OFFICES

VT Americas Covina, CA PH: +1-800-722-0820 FAX: +1-626-332-3418 vt.us@vishaymg.com	VT Canada Toronto PH: +1-416-251-2554 FAX: +1-416-251-2690 vt.can@vishaymg.com	VT UK Basingstoke PH: +44-125-646-2131 FAX: +44-125-647-1441 vt.uk@vishaymg.com	VT Sweden Karlskoga PH: +46-586-630-00 FAX: +46-586-630-99 vt.se@vishaymg.com	VT Germany Heilbronn PH: +49-7131-3901-260 FAX: +49-7131-3901-2666 vt.de@vishaymg.com	VT France Chartres PH: +33-2-37-33-31-20 FAX: +33-2-37-33-31-29 vt.fr@vishaymg.com
VT Spain Madrid PH: +34-91-7218890 FAX: +34-91-7219056 vt.es@vishaymg.com	VT Finland Jorvas PH: +358-(0)9-8194-220 FAX: +358-(0)9-8194-2211 vt.fi@vishaymg.com	VT Norway Oslo PH: +47-22-21-40-70 FAX: +47-22-21-92-10 vt.no@vishaymg.com	VT Israel Netanya PH: +972-9-863-8888 FAX: +972-9-863-8800 vt.il@vishaymg.com	VT China Tianjin PH: +86-22-2835-3503 FAX: +86-22-2835-7261 vt.prc@vishaymg.com	VT Taiwan* Taipei PH: +886-2-2696-0168 FAX: +886-2-2696-4965 vt.roc@vishaymg.com *Asia except China



Notice

Specifications of the products displayed herein are subject to change without notice. Vishay Intertechnology, Inc., or anyone on its behalf, assumes no responsibility or liability for any errors or inaccuracies.

Information contained herein is intended to provide a product description only. No license, express or implied, by estoppel or otherwise, to any intellectual property rights is granted by this document. Except as provided in Vishay's terms and conditions of sale for such products, Vishay assumes no liability whatsoever, and disclaims any express or implied warranty, relating to sale and/or use of Vishay products including liability or warranties relating to fitness for a particular purpose, merchantability, or infringement of any patent, copyright, or other intellectual property right.

The products shown herein are not designed for use in medical, life-saving, or life-sustaining applications. Customers using or selling these products for use in such applications do so at their own risk and agree to fully indemnify Vishay for any damages resulting from such improper use or sale.