

Load Cell Mounting Feet



FEATURES

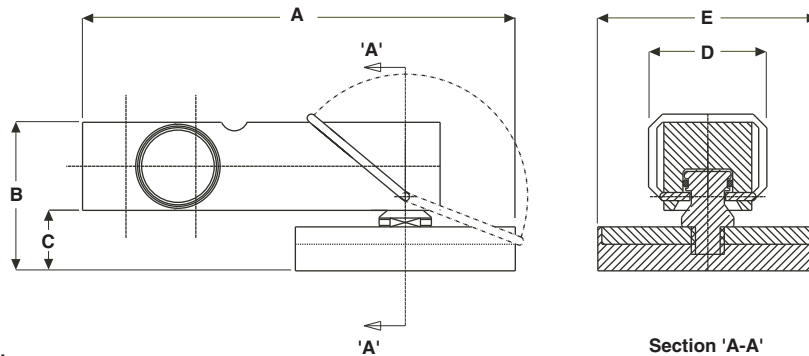
- Adjustable height or fixed height version
- Designed to work with T-end version shear beams
- Low profile
- Stainless steel
- Anti-vibration
- Easy installation

DESCRIPTION

T-End mounting feet are ideal for platform use where a number of load cells are used together. The stainless steel construction with the inert rubber foot makes the assembly impervious to most industrial chemicals and ideal for harsh environments a food grade rubber option is also available.

They must be used with the appropriate load cells, which are current matched and specially machined to accept T-End accessories. It is recommended to order load cells and T-End mounting feet together.

OUTLINE DIMENSIONS in millimeters



Note:

1. All dimensions in mm
2. A mounting foot adapter is available which increases the heights 'B' & 'C' by 7mm (for standard shear beams)

Load Cell Type		3410			3510	
Capacity		250-4000lbs	500-1000kg	2000kg	300-2000kg	5000kg
Both T foot versions	A	157.4	157.4	157.4	157.4	202.4
	D	43	43	43	43	57
	ØE	80	80	80	80	100
Fixed height foot	B	52	52	58	54	77.5
	C	22	22	22	22	29.5
Adjustable height foot	B low	58	58	64	60	-
	B high	70	70	76	72	-
	C low	28	28	28	28	-
	C high	40	40	40	40	-

VISHAY TRANSDUCERS (VT) SALES OFFICES

VT Americas
City of Industry, CA
PH: +1-626-858-8899
FAX: +1-626-332-3418
vt.us@vishaymg.com

VMG UK
Basingstoke
PH: +44-125-646-2131
FAX: +44-125-647-1441
vt.uk@vishaymg.com

VMG Germany
Heilbronn
PH: +49-7131-3901-260
FAX: +49-7131-3901-2666
vt.de@vishaymg.com

VMG France
Chartres
PH: +33-2-37-33-31-20
FAX: +33-2-37-33-31-29
vt.fr@vishaymg.com

VT Netherlands
Breda
PH: +31-76-548-0700
FAX: +31-76-541-2854
vt.nl@vishaymg.com

VMG Israel
Netanya
PH: +972-9-863-8888
FAX: +972-9-863-8800
vt.il@vishaymg.com

VT China
Tianjin
PH: +86-22-2835-3503
FAX: +86-22-2835-7261
vt.prc@vishaymg.com

VT Taiwan*
Taipei
PH: +886-2-2696-0168
FAX: +886-2-2696-4965
vt.roc@vishaymg.com
*Asia except China