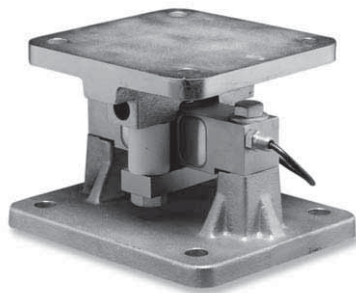


Tank Weighing Assembly



FEATURES

- Rated capacities of 20,000 to 200,000 pounds
- Mounts directly to the floor or structural support
- Self-checking with provisions for thermal expansion/contraction
- Insensitive to side loads and bending moments
- High output - well suited to high deadload/low liveload applications
- Load cells have matched outputs for multi-cell systems
- Integral conduit adaptor
- Trade certified load cells for NTEP Class III: 10000 divisions; Class III: 5000 divisions and OIML R60 3000 divisions
- *Sensorgage*™ sealed to IP67 standards
- Factory Mutual System Approved for Classes I, II, III; Divisions 1 and 2; Groups A through G. Also, non-incendive ratings (No barriers!).

DESCRIPTION

The 65069-TWA is a high capacity truck scale weighing assembly.

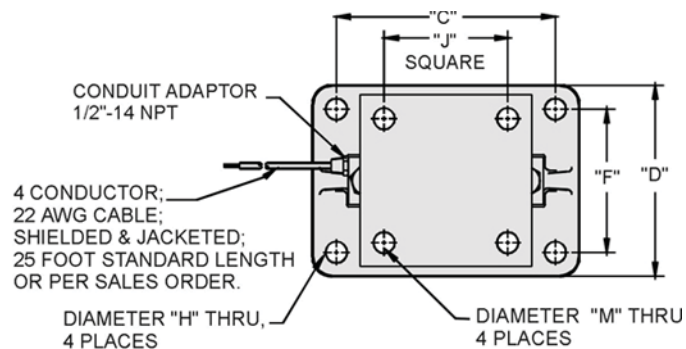
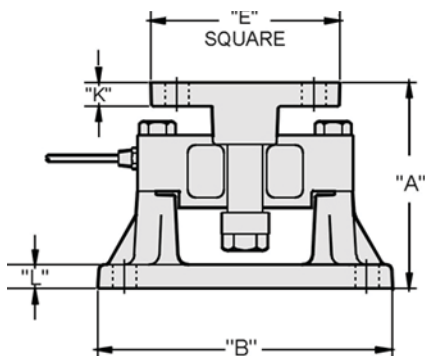
This product is designed to simplify the installation of the 65058 load cell into a certified Legal For Trade high capacity weigh bridge. The load cell is nickel plated and sealed to IP67 standards, assuring reliability. The mount assembly is provided with a yellow zinc coat finish to prevent rust.

This weighing assembly is rated intrinsically safe by the Factory Mutual System (FM); making it suitable for use in potentially explosive environments. This weighing assembly is certified for Legal For Trade applications by both American NTEP and International OIML standards.

APPLICATIONS

- "Legal for Trade" weighing
- Tank, bin and hopper weighing
- Silo weighing
- Batching, blending, mixing and inventory monitoring

OUTLINE DIMENSIONS in inches



Wiring

+ Excitation = Red; - Excitation = Black; + Output = Green; - Output = White

CAPACITY	A	B	C	D	E	F	H	J	K	L	M	WEIGHT
20K - 25K	6.50	10.00	7.50	8.00	8.00	6.00	0.78	6.00	0.75	0.75	0.78	44.0
30K - 40K	7.80	14.00	11.50	10.00	8.00	7.50	1.12	6.00	0.75	1.00	0.78	71.0
50K - 100K	9.50	14.00	11.50	10.00	9.00	7.50	1.12	6.50	1.00	1.00	1.12	110.0
200K	14.75	25.00	20.00	16.00	12.00	11.00	1.63	8.00	1.50	1.50	1.63	335.0

Capacities are in pounds.



SPECIFICATIONS

PARAMETER	VALUE				UNIT
Rated capacity-R.C. (E_{max})	20K, 25K, 30K, 40K, 50K, 60K, 75K, 100K, 125K, 200K				lbs
NTEP/OIML Accuracy class	NTEP III	NTEP IIII	Standard	OIML R60	
Maximum no. of intervals (n)	5000 multiple	10000 multiple	--	3000	
$Y = E_{max}/V_{min}$	See NTEP cert. 86-046A3			6667	Maximum available
Rated output-R.O.	3.0				mV/V
Rated output tolerance	0.25				±% mV/V
Zero balance	1.0				±% FSO
Combined error	0.02	0.02	0.03	0.02	±% FSO
Non-repeatability	0.01	0.01	0.015	0.01	±% FSO
Creep error (30 minutes)	0.025	0.030	0.03	0.017	±% FSO
Temperature effect on zero	0.0010	0.0010	0.0015	0.0010	±% FSO/°F
Temperature effect on output	0.0008	0.0008	0.0008	0.0007	±% of load/°F
Compensated temperature range	14 to 104 (-10 to 40)				°F (°C)
Operating temperature range	0 to 150 (-18 to 65)				°F (°C)
Storage temperature range	-60 to 185 (-50 to 85)				°F (°C)
Sideload rejection ratio	500:1				
Safe sideload	100				% of R.C.
Maximum safe overload compression	150				% of R.C.
Safe overload tension	100				% of R.C.
Ultimate overload compression	300				% of R.C.
Ultimate overload tension	200				% of R.C.
Excitation, recommended	15				Vdc or Vac rms
Excitation, maximum	25				Vdc or Vac rms
Input impedance	686 - 714				Ω
Output impedance	699 - 707				Ω
Insulation resistance at 50VDC	>1000				MΩ
Material load cell	Nickel plated alloy tool steel				
Material assembly	Yellow zink ductile iron				
Environmental protection	IP67				

FSO - Full Scale Output

VISHAY TRANSDUCERS (VT) SALES OFFICES

VT Americas
 City of Industry, CA
 PH: +1-626-858-8899
 FAX: +1-626-332-3418
 vt.us@vishaymg.com

VT Netherlands
 Breda
 PH: +31-76-548-0700
 FAX: +31-76-541-2854
 vt.nl@vishaymg.com

VMG UK
 Basingstoke
 PH: +44-125-646-2131
 FAX: +44-125-647-1441
 vt.uk@vishaymg.com

VMG Israel
 Netanya
 PH: +972-9-863-8888
 FAX: +972-9-863-8800
 vt.il@vishaymg.com

VMG Germany
 Heilbronn
 PH: +49-7131-3901-260
 FAX: +49-7131-3901-2666
 vt.de@vishaymg.com

VT China
 Tianjin
 PH: +86-22-2835-3503
 FAX: +86-22-2835-7261
 vt.prc@vishaymg.com

VMG France
 Chartres
 PH: +33-2-37-33-31-20
 FAX: +33-2-37-33-31-29
 vt.fr@vishaymg.com

VT Taiwan*
 Taipei
 PH: +886-2-2696-0168
 FAX: +886-2-2696-4965
 vt.roc@vishaymg.com
 *Asia except China



Notice

Specifications of the products displayed herein are subject to change without notice. Vishay Intertechnology, Inc., or anyone on its behalf, assumes no responsibility or liability for any errors or inaccuracies.

Information contained herein is intended to provide a product description only. No license, express or implied, by estoppel or otherwise, to any intellectual property rights is granted by this document. Except as provided in Vishay's terms and conditions of sale for such products, Vishay assumes no liability whatsoever, and disclaims any express or implied warranty, relating to sale and/or use of Vishay products including liability or warranties relating to fitness for a particular purpose, merchantability, or infringement of any patent, copyright, or other intellectual property right.

The products shown herein are not designed for use in medical, life-saving, or life-sustaining applications. Customers using or selling these products for use in such applications do so at their own risk and agree to fully indemnify Vishay for any damages resulting from such improper use or sale.