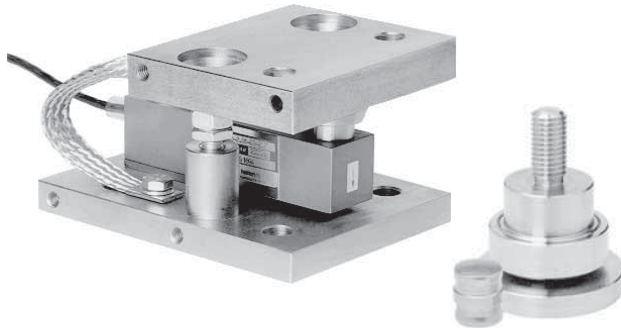


9123/5123 Self Aligning Accessories



FEATURES

- Capacities: 0.5 - 5t
- Hardened components at all load bearing surfaces
- Rocker pin load introduction
- Built in horizontal movement control and lift-off protection
- Load cell (re)placement after installation of the mount

OPTIONAL FEATURES

- Stainless steel or Nickel plated steel versions available
- Optional stay rod assembly

DESCRIPTION

The 9123/5123 self aligning silo mount, combined with the 9123/5123 load cell family, provides weighing assemblies suitable for process control, batch weighing, silo/hopper and belt scale applications.

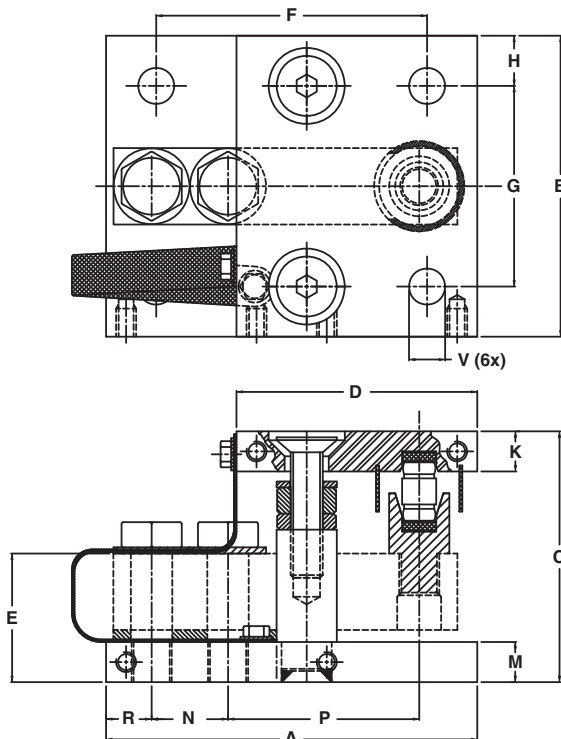
The 9123/5123 foot assembly is an ideal solution for medium and high capacity platform scales.

The 9123/5123 mount and foot are based on a rocker pin design, combining excellent load introduction to the transducer with an overall low profile. Hardened components are used at all load bearing surfaces. The stainless steel construction guarantees long term reliability, even in the most harsh of environments.

APPLICATIONS

- Process control
- Batch weighing
- Silo/hopper weighing

OUTLINE DIMENSIONS in millimeters



Capacity	0.5t - 2t	5t
A	160	185
B	120	150
C	90	125
D	100	120
E	50.8	64
F	100	135
G	80	100
H	20	25
K	20	20
M	15	20
N	25.4	38.1
P	76.2	95.3
R	32.2	22.7
V	Ø14	Ø18

Model 9123/5123 Mount

Vishay Revere

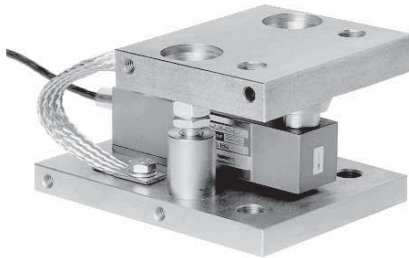
9123/5123 Self Aligning Accessories



ACCESSORIES

Self Aligning Mount

The 9123/5123 mount permits controlled horizontal movement in all directions. The design allows the load cell to be (re)placed after installation of the mount. The critical load introduction area is mechanically protected.



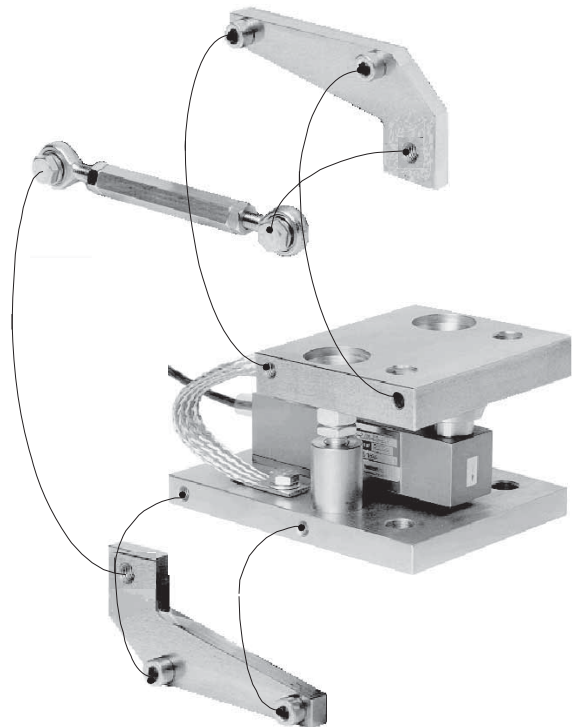
Height Adjustable Foot

The stainless steel foot, which has approx. 10mm height adjustment, provides excellent load introduction to the load cell. The foot allows flexibility in platform design without compromising overall system performance.



Stay Rod Assembly

If major load movement is anticipated stay rods should be used to restrain a vessel or platform. The 9123/5123 stay rod assembly can be bolted to the mount prior to or after its installation.



FURTHER INFORMATION		Height, assembly + 9123/5123 (0.5 - 2t)		Height, assembly + 9123/5123 (5t)	
Self Aligning Mount	mm	90		125	
Height Adj. Foot	mm	71+10		101+10	
Mount / Foot	Assembly guidelines	Outline drawing (0.5 - 2t)		Outline drawing (5t)	
		Stainless steel	Nickel plated	Stainless steel	Nickel plated
Self Aligning Mount	AG 10/06-103/02	499057-10	499057-00	499058-10	499058-00
Stay Rod Assembly	AG 09/06-200/02	499068-10	499068-00	499069-10	499069-00
Height Adj. Foot		499081	-	499082	-

VISHAY TRANSDUCERS (VT) SALES OFFICES

VT Americas
City of Industry, CA
PH: +1-626-858-8899
FAX: +1-626-332-3418
vt.us@vishaymg.com

VT Netherlands
Breda
PH: +31-76-548-0700
FAX: +31-76-541-2854
vt.nl@vishaymg.com

VMG UK
Basingstoke
PH: +44-125-646-2131
FAX: +44-125-647-1441
vt.uk@vishaymg.com

VMG Israel
Netanya
PH: +972-9-863-8888
FAX: +972-9-863-8800
vt.il@vishaymg.com

VMG Germany
Heilbronn
PH: +49-7131-3901-260
FAX: +49-7131-3901-2666
vt.de@vishaymg.com

VT China
Tianjin
PH: +86-22-2835-3503
FAX: +86-22-2835-7261
vt.prc@vishaymg.com

VMG France
Chartres
PH: +33-2-37-33-31-20
FAX: +33-2-37-33-31-29
vt.fr@vishaymg.com

VT Taiwan*
Taipei
PH: +886-2-2696-0168
FAX: +886-2-2696-4965
vt.roc@vishaymg.com
*Asia except China