

## Double Ended Beam Load Cell



### FEATURES

- Capacities: 1K to 75Klbs
- Environmental protection: IP67 (DIN 40.050)
- Material: stainless steel
- Center loaded design
- Welded covers for all capacities

### OPTIONAL FEATURE

- FM certified versions are available for use in potentially explosive atmospheres

### DESCRIPTION

The 9203 is a stainless steel Double Ended Shear Beam type load cell.

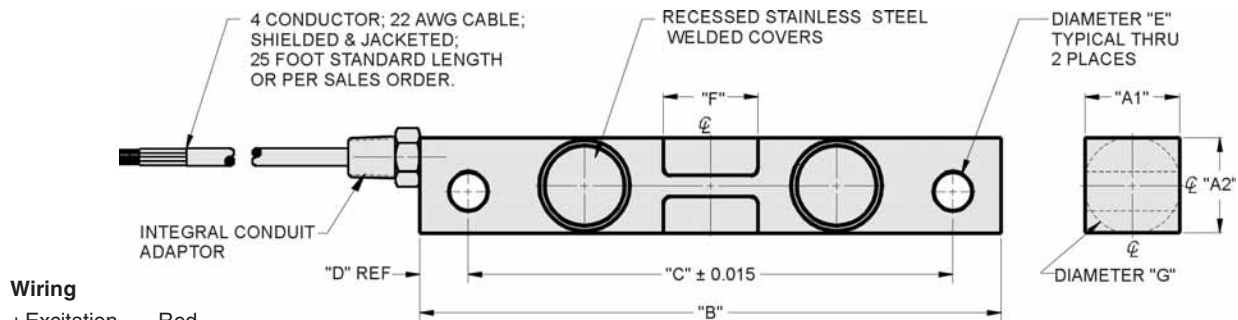
A reliable sealing and mechanical protection of the skin gage area is ensured by the use of potting compound with a metal cover.

The center loaded design results in minimal sensitivity to off-center forces.

### APPLICATIONS

- Silo, tank, hopper weighing
- Custom system designs
- Low capacity vehicle scales

### OUTLINE DIMENSIONS in inches



#### Wiring

+ Excitation	Red
- Excitation	Black
+ Output	Green
- Output	White

CAPACITY	A1	A2	B	C	D	E	F	G	THREAD
1K - 5K	1.22	1.22	7.50	6.25	0.62	0.50	1.12	1.25	1/4-18NPT
10K - 25K	1.44	1.94	8.75	7.50	0.62	0.81	1.62	1.99	1/4-18NPT
35K	1.44	2.44	8.75	7.50	0.62	0.81	1.62	2.50	1/4-18NPT
50K - 75K	2.44	2.94	13.50	11.50	1.00	1.31	3.25	2.99	1/2-14NPT

Capacities are in pounds.



### SPECIFICATIONS

PARAMETER	VALUE	UNIT
Standard capacities ( $E_{max}$ )	1, 1.5, 2, 2.5, 5, 10, 15, 20, 25, 35, 50, 75	Klbs
Accuracy class	<b>Non Approved - D3</b>	
Rated output (=S)	3.0	mV/V
Rated output tolerance	0.008	±mV/V
Zero balance	1.0	±% FSO
Combined error	0.03	±% FSO
Creep error (20 minutes)	0.03	±% FSO
Temp. effect on min. dead load output	0.0015	±% FSO/5°C (°F)
Temperature effect on sensitivity	0.0008	±% FSO/5°C (°F)
Maximum safe over load	150	% $E_{max}$
Ultimate over load	300	% $E_{max}$
Maximum safe side load	100	% $E_{max}$
Excitation voltage	10	V
Maximum excitation voltage	15	V
Input resistance	700±14	Ω
Output resistance	703±4	Ω
Insulation resistance	≥1000	MΩ
Compensated temperature range	-10 to +40 (+14 to +104)	°C (°F)
Operating temperature range	-18 to +65 (0 to +150)	°C (°F)
Element material (DIN)	Stainless steel	
Sealing	IP67	

FSO-Full Scale Output

### VISHAY TRANSDUCERS (VT) SALES OFFICES

**VT Americas**  
 City of Industry, CA  
 PH: +1-626-858-8899  
 FAX: +1-626-332-3418  
 vt.us@vishaymg.com

**VT Netherlands**  
 Breda  
 PH: +31-76-548-0700  
 FAX: +31-76-541-2854  
 vt.nl@vishaymg.com

**VMG UK**  
 Basingstoke  
 PH: +44-125-646-2131  
 FAX: +44-125-647-1441  
 vt.uk@vishaymg.com

**VMG Israel**  
 Netanya  
 PH: +972-9-863-8888  
 FAX: +972-9-863-8800  
 vt.il@vishaymg.com

**VMG Germany**  
 Heilbronn  
 PH: +49-7131-3901-260  
 FAX: +49-7131-3901-2666  
 vt.de@vishaymg.com

**VT China**  
 Tianjin  
 PH: +86-22-2835-3503  
 FAX: +86-22-2835-7261  
 vt.prc@vishaymg.com

**VMG France**  
 Chartres  
 PH: +33-2-37-33-31-20  
 FAX: +33-2-37-33-31-29  
 vt.fr@vishaymg.com

**VT Taiwan\***  
 Taipei  
 PH: +886-2-2696-0168  
 FAX: +886-2-2696-4965  
 vt.roc@vishaymg.com  
 \*Asia except China