

## Double Ended Beam Load Cell



### FEATURES

- Capacities: 25 to 125Klbs
- Environmental protection: IP67 (DIN 40.050)
- Material: Nickel plated steel
- Certified to NTEP class IIIIL, 10000 divisions

### OPTIONAL FEATURE

- FM approved for use in potentially explosive atmosphere

### DESCRIPTION

The 5303 is a link loaded mid to high capacity, Nickel plated alloy steel Double Ended Shear Beam type load cell.

This product is designed for use in certified truck and rail scales and is available in capacities from 25K to 125Klbs.

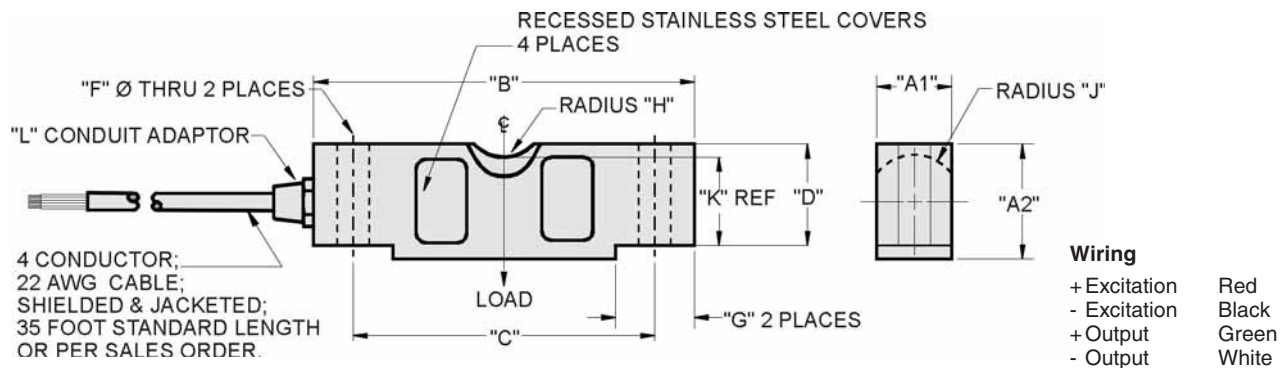
This load cell is rated intrinsically safe by the FM system, making it suitable for use in potentially explosive atmosphere.

This load cell is certified for trade applications by American NTEP standards.

### APPLICATIONS

- Weighbridges
- Silos, tanks and hoppers

### OUTLINE DIMENSIONS in inches



CAPACITY	A1	A2	B	C	D	F	G	H	J	K	L
25K	1.69	1.94	7.75	6.50	1.70	0.68	1.38	0.75	0.90	1.63	1/4 - 18 NPT
40K	1.94	2.44	10.25	8.50	2.10	0.81	1.93	1.00	1.12	2.00	1/4 - 18 NPT
50K - 75K	2.44	2.94	10.25	8.50	2.65	1.06	1.93	1.00	1.37	2.54	1/2 - 14 NPT
100K - 125K	2.90	3.86	15.25	12.75	3.43	1.62	3.13	1.50	1.80	3.30	1/2 - 14 NPT

Capacities are in pounds.



### SPECIFICATIONS

PARAMETER	VALUE		UNIT
Capacities	25K, 40K, 50K, 60K, 75K, 100K, 125K		lbs
Accuracy class according to NTEP	NTEP IIII	Non-Approved	
Max. no. of verification intervals	10000d		
Rated output (=S)	3.0		mV/V
Rated output tolerance	0.0075		±mV/V
Zero balance	1.0		±% FSO
Combined error	0.0200	0.0500	±% FSO
Temperature effect on min. dead load output	0.0010	0.0250	±% FSO/5°C (1°F)
Temperature effect on sensitivity	0.0008	0.0250	±% FSO/5°C (1°F)
Compensated temperature range	-10 to +40 (+14 to 104)		°C (°F)
Operating temperature range	-18 to +65 (0 to +150)		°C (°F)
Safe load limit	150		%E <sub>max</sub>
Ultimate load	300		%E <sub>max</sub>
Safe side load limit	100		%E <sub>max</sub>
Excitation voltage recommended	10		V
Excitation voltage maximum	15		V
Input resistance	700±14		Ω
Output resistance	703±4		Ω
Insulation resistance	≥1000		MΩ
Environmental protection	IP67		
Element material	Nickel plated steel		ASTM

FSO-Full Scale Output

#### Mounting:

Correct mounting of the load cells is essential to ensure optimum accuracy and performance. Further information is available upon request.

### VISHAY TRANSDUCERS (VT) SALES OFFICES

**VT Americas**  
 City of Industry, CA  
 PH: +1-626-858-8899  
 FAX: +1-626-332-3418  
 vt.us@vishaymg.com

**VT Netherlands**  
 Breda  
 PH: +31-76-548-0700  
 FAX: +31-76-541-2854  
 vt.nl@vishaymg.com

**VMG UK**  
 Basingstoke  
 PH: +44-125-646-2131  
 FAX: +44-125-647-1441  
 vt.uk@vishaymg.com

**VMG Israel**  
 Netanya  
 PH: +972-9-863-8888  
 FAX: +972-9-863-8800  
 vt.il@vishaymg.com

**VMG Germany**  
 Heilbronn  
 PH: +49-7131-3901-260  
 FAX: +49-7131-3901-2666  
 vt.de@vishaymg.com

**VT China**  
 Tianjin  
 PH: +86-22-2835-3503  
 FAX: +86-22-2835-7261  
 vt.prc@vishaymg.com

**VMG France**  
 Chartres  
 PH: +33-2-37-33-31-20  
 FAX: +33-2-37-33-31-29  
 vt.fr@vishaymg.com

**VT Taiwan\***  
 Taipei  
 PH: +886-2-2696-0168  
 FAX: +886-2-2696-4965  
 vt.roc@vishaymg.com  
 \*Asia except China