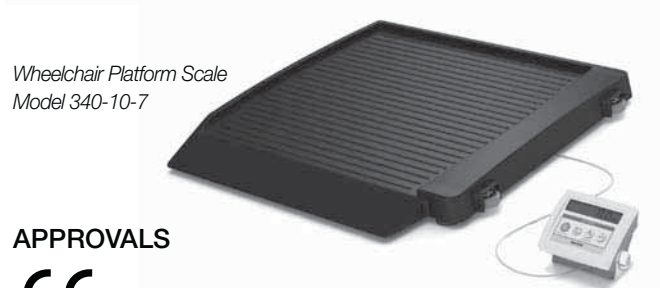


Medical/Health Scales

Wheelchair Scales



Wheelchair Scale
Model 340-10-2



Wheelchair Platform Scale
Model 340-10-7

STANDARD FEATURES

- Capacity: 700lb x 0.2lb (310kg x 0.1kg) or 800lb x 0.2lb (400kg x 0.1kg)
- Platform dimensions: 29.5 x 32in
- Built-in ramp
- Large 1in LCD display
- Ability to manually enter the tare weight of a wheelchair
- AC adaptor and internal rechargeable battery
- BMI (body mass index) function
- Reweigh function
- Hold function
- Unit of measure: lb only/kg only/lb/kg
- RS-232 port
- Updatable firmware

Wheelchair Platform:

- 6.5ft cable between scale base and indicator

APPROVALS



SPECIFICATIONS

POWER:

9VDC, provided by AC adaptor or internal rechargeable battery

BATTERY TYPE:

Sealed lead acid

BATTERY USE:

75 hours
Automatic power-off can be configured from 0-20 minutes

OPERATING TEMPERATURE:

50°F to 104°F (14°C to 40°C)

APPROVALS:

CE

WARRANTY:

Two-year limited warranty

DIMENSIONS

Wheelchair Platform Scale

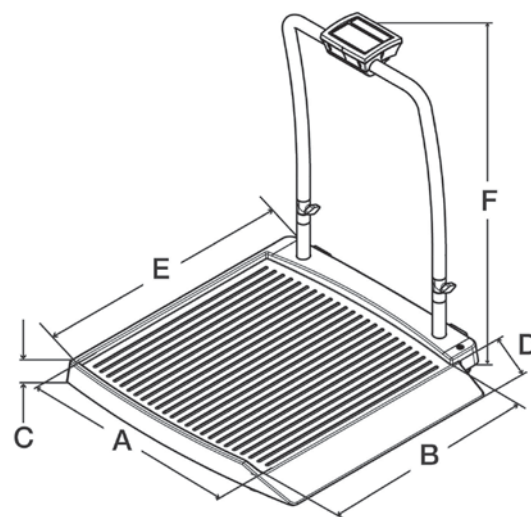
A	29.5 in	D	5.25 in
B	32 in	E	37.5 in
C	2.375 in	F	N/A

Wheelchair Scale

A	29.5 in	D	5.25 in
B	32 in	E	37.5 in
C	2.375 in	F	39.75 in



Wheelchair scale in folded position



Regional Distributor

803, Riqqa Palace Building, Al-Maktum Ave. P.O.Box 181802 Dubai, UAE
Tel.: +97 14 2270081 Fax: +97 14 2239962 rsc@eim.ae www.rcs-co.com



Commitment Beyond Measurement®