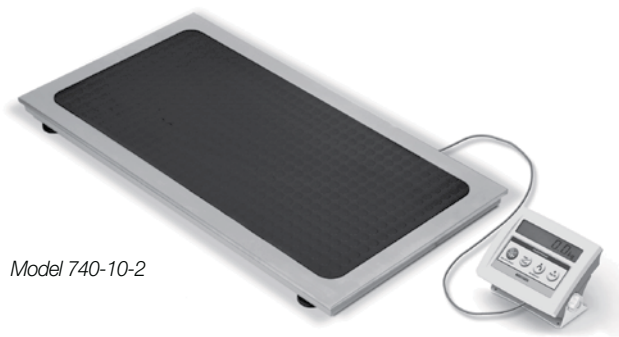


Medical/Health Scales

Veterinary/Platform Scale



Model 740-10-2

STANDARD FEATURES

- Capacity: 600lb x 0.2lb (270kg x 0.1kg)
- Platform dimensions: 22 x 42in x 2in
- Stainless steel platform with removable non-slip, hygienic rubber mat
- Large 1in LCD display
- AC adaptor and internal rechargeable battery
- Low battery indication/automatic power off
- BMI (body mass index) function
- Reweigh function
- Hold function
- Unit of measure: lb only/kg only/lb/kg
- RS-232 output
- Updatable firmware
- 6.5ft cable between scale base and indicator

APPROVALS



SPECIFICATIONS

POWER:
9VDC, provided by AC adaptor or internal rechargeable battery

BATTERY TYPE:
Sealed lead acid

BATTERY USE:
75 hours
Automatic power-off can be configured from 0-20 minutes

OPERATING TEMPERATURE:
50°F to 104°F (14°C to 40°C)

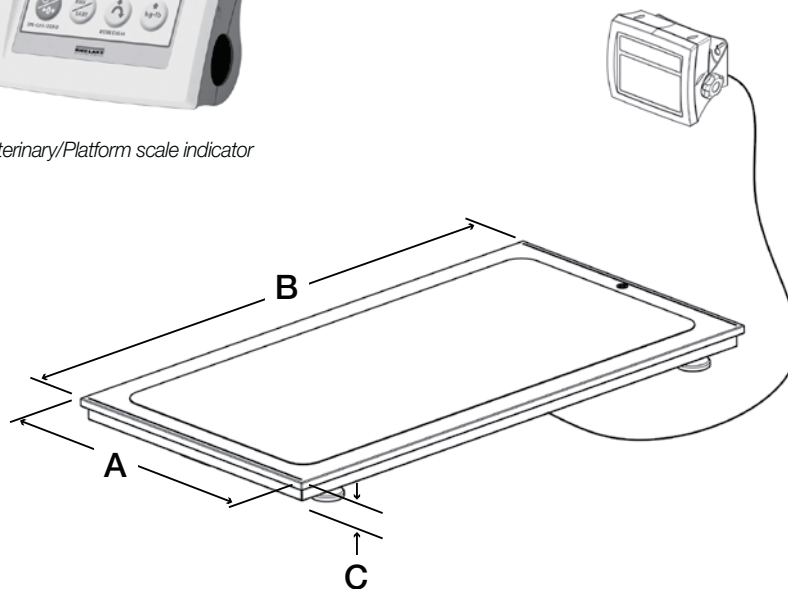
APPROVALS:
CE

WARRANTY:
Two-year limited warranty



Veterinary/Platform scale indicator

DIMENSIONS	
A 22 in	C 2.5 in
B 42 in	



RCS
Rabbit Control Systems
Automation & Control Engineering

Regional Distributor

803, Riqqa Palace Building, Al-Maktum Ave. P.O.Box 181802 Dubai, UAE
Tel.: +97 14 2270081 Fax: +97 14 2239962 rscsco@eim.ae www.rcs-co.com

RICE LAKE
WEIGHING SYSTEMS
Commitment Beyond Measurement®

