

Medical/Health Scales

NEW Summit® SD-1000

Dialysis Scale



Model SD-1000

STANDARD FEATURES

- 36in W x 36in L - 1,000lb mild steel painted scale with an anti-slip rubber surface
- 36in (H) x 30in (L) handrail and mounting hardware
- Large 1in liquid crystal display (LCD)
- AC adaptor and internal rechargeable battery
- Pushbutton or manual entry of tare weight
- Unit of measure: lb only/kg only/lb/kg
- 10ft interface cable from scale to indicator
- RS-232 port
- BMI (body mass index) function
- Reweigh function
- Hold function

APPROVALS



SPECIFICATIONS

POWER:

9VDC, provided by AC adaptor or internal rechargeable battery

BATTERY TYPE:

Sealed lead acid

BATTERY USE:

75 hours
Automatic power-off can be configured from 0-20 minutes

APPROVALS:

CE

OPERATING TEMPERATURE:

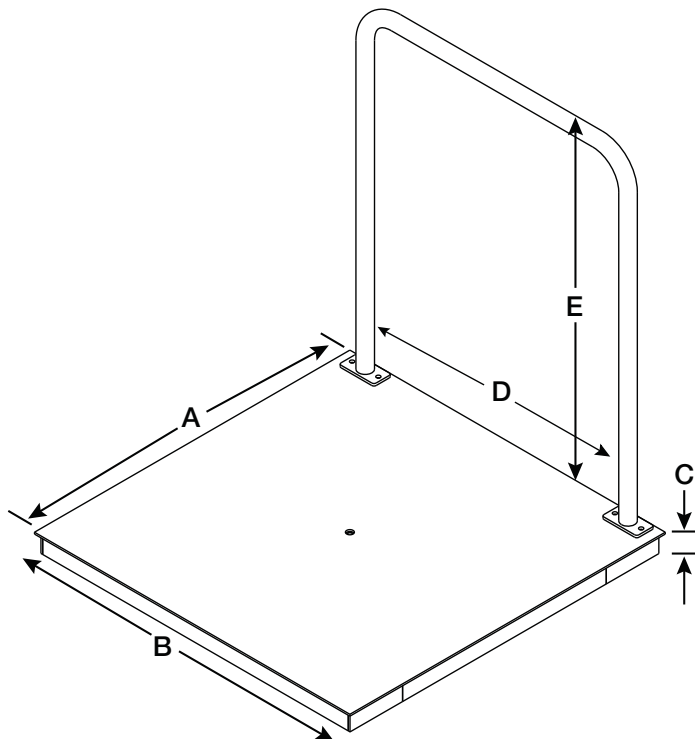
50°F to 104°F
(14°C to 40°C)

WARRANTY:

Two-year limited warranty

DIMENSIONS

A	36in	D	31.5in
B	36in	E	37in
C	3in		



Regional Distributor

803, Riqqa Palace Building, Al-Maktum Ave. P.O.Box 181802 Dubai, UAE
Tel.: +97 14 2270081 Fax: +97 14 2239962 rscso@eim.ae www.rcs-co.com

RICE LAKE
WEIGHING SYSTEMS
Commitment Beyond Measurement®

