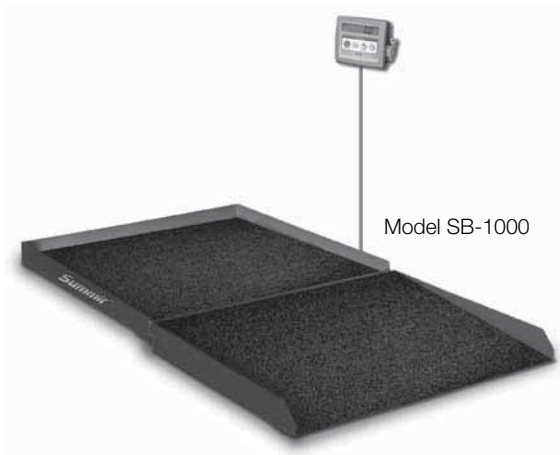


# Medical/Health Scales

**NEW Summit® SB-1000**

Bariatric/Wheelchair Scale



## STANDARD FEATURES

- 36in W x 36in L - 1,000lb mild steel painted scale with an anti-slip rubber surface and three-sided safety rails
- Access ramp 36in W x 28.5in L with anti-slip rubber surface
- Large 1in liquid crystal display (LCD)
- AC adaptor and internal rechargeable battery
- Pushbutton or manual entry of tare weight
- Unit of measure: lb only/kg only/lb/kg
- 10ft interface cable from scale to indicator
- RS-232 port
- BMI (body mass index) function
- Reweigh function
- Hold function

## APPROVALS



## SPECIFICATIONS

### POWER:

9VDC, provided by AC adaptor or internal rechargeable battery

### BATTERY TYPE:

Sealed lead acid

### APPROVALS:

CE

### BATTERY USE:

75 hours  
Automatic power-off can be configured from 0-20 minutes

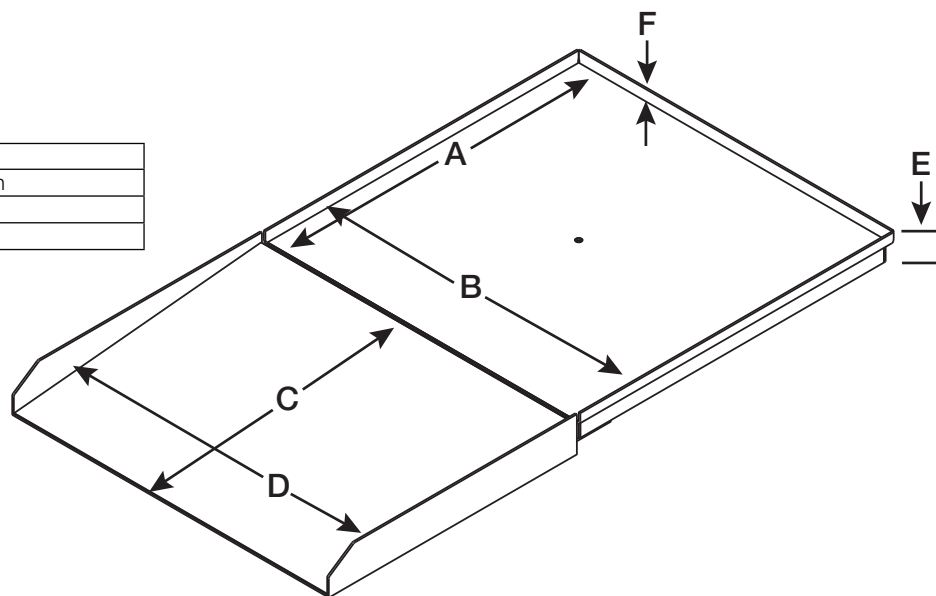
### OPERATING TEMPERATURE:

50°F to 104°F  
(14°C to 40°C)

### WARRANTY:

Two-year limited warranty

DIMENSIONS			
<b>A</b>	36in	<b>D</b>	36in
<b>B</b>	36in	<b>E</b>	4in
<b>C</b>	28.5in	<b>F</b>	1in



**RCS**  
Rabbit Control Systems  
Automation & Control Engineering

### Regional Distributor

803, Riqqa Palace Building, Al-Maktum Ave. P.O.Box 181802 Dubai, UAE  
Tel.: +97 14 2270081 Fax: +97 14 2239962 rcsco@eim.ae www.rcs-co.com

**RICE LAKE**  
WEIGHING SYSTEMS  
Commitment Beyond Measurement®

