

Medical/Health Scales

Mechanical Physician Scale



STANDARD FEATURES

- Dual load capacity and height
- Capacity: 440lb x 0.25lb (200kg x 0.1kg)
- 10.75in x 14.75in Platform
- Sturdy enameled steel body
- Die cast beam
- Rugged scale understructure
- Removable slip-resistant plastic base cover
- Retractable aluminum height
- Easy operation with two sliding weights
- Rear wheels for ease of portability

SPECIFICATIONS

HEIGHT ROD:

24-84in (60-212 cm)

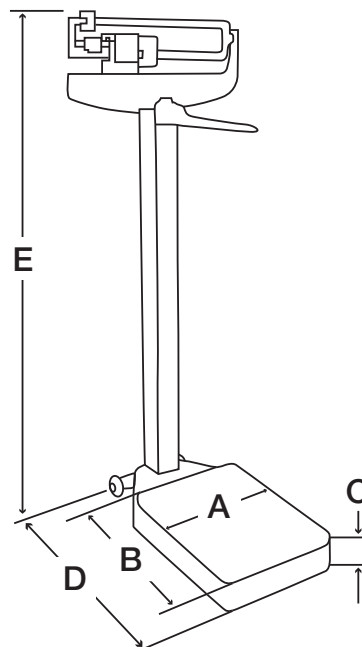
HEIGHT DIVISION:

0.125in (0.1 cm)

WARRANTY:

Two-year limited warranty

DIMENSIONS			
A	10.75in (27.3cm)	D	22.25in (56.5cm)
B	14.75in (37.5cm)	E	58.5in (148.6cm)
C	4.125in (10.5cm)		



RCS
Rabbit Control Systems
Automation & Control Engineering

Regional Distributor

803, Riqqa Palace Building, Al-Maktum Ave. P.O.Box 181802 Dubai, UAE
Tel.: +97 14 2270081 Fax: +97 14 2239962 rscsco@eim.ae www.rcs-co.com

RICE LAKE
WEIGHING SYSTEMS
Commitment Beyond Measurement®

