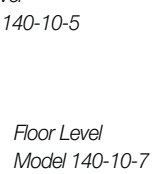


Medical/Health Scales

Digital Physician Scales



STANDARD FEATURES

- Capacity: 550lb x 0.2lb (250kg x 0.1kg)
- Platform Dimensions: 14in x 14.5in x 3in (355.6mm x 368.3mm x 76.2mm)
- Large 1in LCD display
- AC adaptor and internal rechargeable battery
- Low battery indication/automatic power off
- BMI (body mass index) function
- Reweigh function
- Hold function
- Unit of measure: lb only/kg only/lb/kg
- RS-232 output
- Updatable firmware

Eye-Level Physician Scale

- Height measuring rod measures from 35in to 82in x 1/8in (90cm to 209cm x 1mm)
- Integrated wheels for ease of portability

Waist-Level Physician Scale

- Integrated wheels for ease of portability

Floor-Level Physician Scale

- 6.5ft cable between scale base and indicator

APPROVALS



SPECIFICATIONS

POWER:

9VDC, provided by AC adaptor or internal rechargeable battery

BATTERY TYPE:

Sealed lead acid

BATTERY USE:

75 hours
Automatic power-off can be configured from 0-20 minutes

OPERATING TEMPERATURE:

50°F to 104°F (14°C to 40°C)

APPROVALS:

CE

WARRANTY:

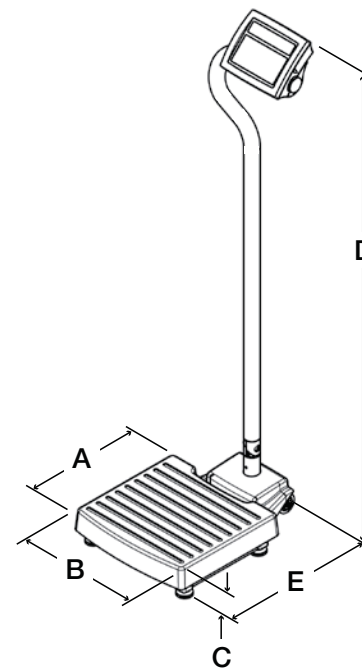
Two-year limited warranty

DIMENSIONS

Eye Level			
A	14 in	D	54.45 in
B	14.5 in	E	20.5 in
C	3 in		
Waist Level			
A	14 in	D	50.5 in
B	14.5 in	E	20.5 in
C	3 in		
Floor Level			
A	14 in	D	N/A
B	14.5 in	E	N/A
C	3 in		



Transport/Carrying Case
for Floor Level Scale



Regional Distributor

803, Riqqa Palace Building, Al-Maktum Ave. P.O.Box 181802 Dubai, UAE
Tel.: +97 14 2270081 Fax: +97 14 2239962 rcsco@eim.ae www.rcs-co.com

