

Medical/Health Scales

Bariatric/Handrail Scales



Model 240-10

STANDARD FEATURES

- Capacity: 700lb x 0.2lb (310kg x 0.1kg)
- Platform dimensions: 20 x 25in x 3in
- Handrails for extra support and safety
- Integrated wheels for ease of portability
- Large 1in LCD display
- Low battery indicator/automatic power-off
- BMI (body mass index) function
- Reweigh function
- Hold function
- Unit of measure: lb only/kg only/lb/kg
- RS-232 output
- Updatable firmware

APPROVALS



SPECIFICATIONS

POWER:

9VDC, provided by AC adaptor or internal rechargeable battery

BATTERY TYPE:

Sealed lead acid

BATTERY USE:

75 hours
Automatic power-off can be configured from 0-20 minutes

OPERATING TEMPERATURE:

50°F to 104°F (14°C to 40°C)

APPROVALS:

CE

WARRANTY:

Two-year limited warranty

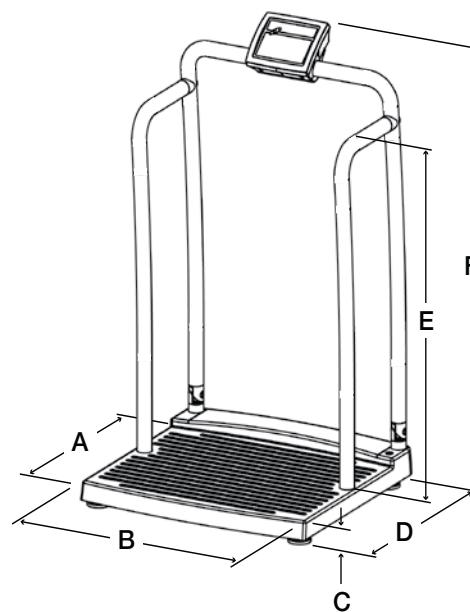
DIMENSIONS

Eye Level

A	20in	D	25in
B	25in	E	34in
C	3in	F	44.5in



Bariatric/Handrail scale indicator



Regional Distributor

803, Riqqa Palace Building, Al-Maktum Ave. P.O.Box 181802 Dubai, UAE
Tel.: +97 14 2270081 Fax: +97 14 2239962 rscsco@eim.ae www.rcs-co.com

RICE LAKE
WEIGHING SYSTEMS
Commitment Beyond Measurement®

