

# Instrumentation/Process Control

## EL232 XPCD

## Explosion Proof Remote Serial Display



### STANDARD FEATURES

- 20 mA current loop or RS-232 input
- Compatible with all IQ plus® series indicators
- NEMA 4, 7CD, 9EFG enclosure

### SPECIFICATIONS

#### DISPLAY:

High-intensity, red LED, 0.8 in (20.3 mm) high digits

#### INPUT VOLTAGE:

115 VAC, 60 Hz

#### WEIGHT:

Approximately 25 lb (11.3 kg)

#### NEC CLASSIFICATIONS:

Class I, Division 1, Groups C & D; Class II, Division 1, Groups E, F & G and Class III hazardous environments

#### BAUD RATE:

1200, 2400, 4800 and 9600

#### INTERFACES:

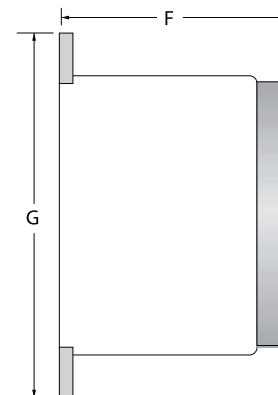
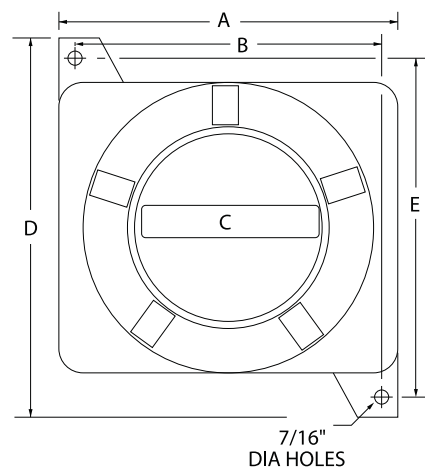
20 mA CL and RS-232 standard. The EL232 XPCD can communicate, as shipped, with 12 of the most common scale indicator families currently available. Please consult factory for model numbers and interface requirements.

#### WARRANTY:

One-year limited warranty

NOTE: The IQ plus® 310, UMC555 XPCD, and IQ® plus 810 XPCD have been discontinued. The same functionality, plus an increased feature set of 520 and 920i, are available as special order XPCD enclosures. All explosion-proof devices are now built-to-order, so please coordinate purchase of these items with one of our application specialists.

**CAUTION:** The equipment contained within this Explosive Environment section requires greater attention to specification and installation guidelines. Improper specification, installation or service of these products can result in loss of equipment or serious injury.



DIMENSIONS			
<b>A</b>	10.50 in (266.7 mm)	<b>D</b>	11.75 in (298.5 mm)
<b>B</b>	9.50 in (241.3 mm)	<b>E</b>	10.50 in (266.7 mm)
<b>C</b>	5.81 in (147.7 mm)	<b>F</b>	7.50 in (190.5 mm)
<b>G</b>	(Glass Diameter) 11.75 in (298.5 mm)		