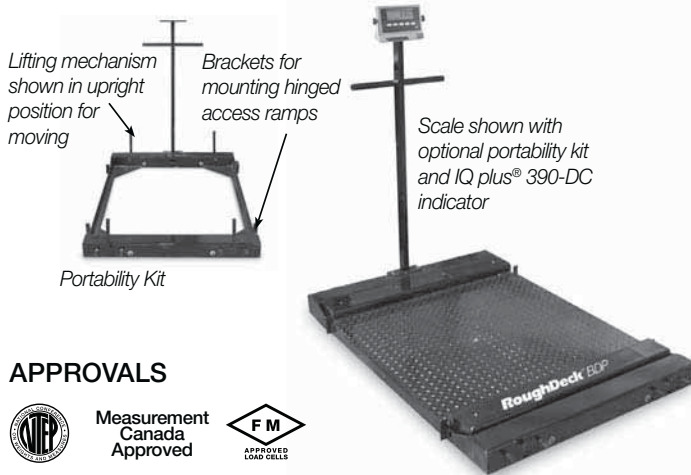


Floor/Lift Truck/Pallet/Belt Scales

RoughDeck® BDP

Barrel Scale – Standard Model with Portability Option



STANDARD FEATURES

- Live siderails
- Top access foot adjustment holes (holes are 1/2-13 threaded for lifting scale)
- Four adjustable stainless steel SUREFOOT™ support feet
- 30in x 31in or 36in x 37in weighing surface (not including side rails)
- TuffSeal® JB4SS Stainless Steel, NEMA 4X junction box with signal trim card
- Three-year limited warranty

Mild Steel Models

- Treaded top plate
- Alloy steel load cells

Stainless Steel Models

- Smooth top plate
- Stainless steel or stainless steel with welded-seal (IP67) load cells

APPROVALS



SPECIFICATIONS

END LOAD CAPACITY:

1,000lb: 100% full scale
2500lb: 80% full scale

CABLE LENGTH:

10ft (3m)

APPROVALS:

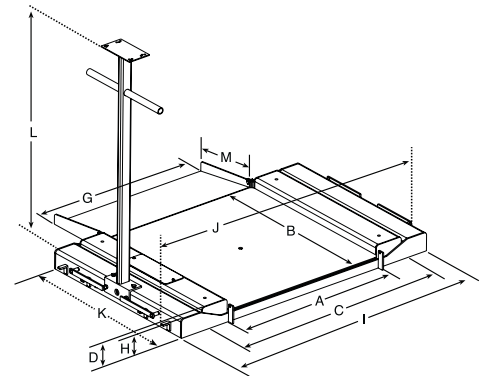
NTEP Certified CC#03-060
Measurement Canada Approved: AM5578

WARRANTY:

Three-year limited warranty

ROUGHDECK BDP SCALE

PART #	PLATFORM (W x L)	CAPACITY (Canadian Approved Capacities in parenthesis)	EST. SHIPWEIGHT
Mild Steel			
77962	30in x 31in	1,000lb (500kg)	205lb
77963	30in x 31in	2,500lb (1,000kg)	205lb
77964	36in x 37in	1,000lb (500kg)	265lb
77965	36in x 37in	2,500lb (1,000kg)	265lb
Stainless Steel			
77967	30in x 31in	1,000lb (500kg)	205lb
77968	30in x 31in	2,500lb (1,000kg)	205lb
77969	36in x 37in	1,000lb (500kg)	265lb
77970	36in x 37in	2,500lb (1,000kg)	265lb
Stainless Steel with Stainless Steel Welded-Seal (IP67) Load Cells			
77971	30in x 31in	1,000lb (500kg)	205lb
77972	30in x 31in	2,500lb (1,000kg)	205lb
77973	36in x 37in	1,000lb (500kg)	265lb
77974	36in x 37in	2,500lb (1,000kg)	265lb



DIMENSIONS W/PORTABILITY FRAME AND HINGED ACCESS RAMPS

30IN x 31IN MODELS			
A	30.0in (762mm)	I	49.25in (1250.9mm)
B	31.0in (787.4mm)	J	52.25in (1327.1mm)
C	40.0in (1016mm)	K	31.12in (790.4mm)
D	3.66in (92.9mm)	L	40.37in (1025.4mm)
G	29.25in (742.9mm)	M	12.0in (304.8mm)
H	3.25in (82.5mm)		
36IN x 37IN MODELS			
A	36.0in (914.4mm)	I	55.25in (1403.4mm)
B	37.0in (939.8mm)	J	58.25in (1479.5mm)
C	46.0in (1168.4mm)	K	37.12in (942.8mm)
D	3.66in (92.9mm)	L	40.37in (1025.4mm)
G	35.25in (895.3mm)	M	12.0in (304.8mm)
H	3.25in (82.5mm)		

Distance from floor to top of center weighing surface: 1.94in (49.2mm)

Distance from floor to bottom of weighing surface: 0.62in (15.7mm)

ROUGHDECK BDP PORTABILITY KITS

- Kits include:
- Frame
 - Two swivel and two fixed zinc plated steel NSF approved wheels (75lb max. load capacity)
 - Indicator stand (suitable for IQ plus® 310, 320IS, 320IS plus, IQ plus® 355, IQ plus® 390, IQ plus® 590, IQ 700, UMC444 and UMC555)

PART #	DESCRIPTION	EST. SHIP WEIGHT
Mild Steel		
78021	For use with 30in x 31in scale	90lb
78022	For use with 36in x 37in scale	100lb
Stainless Steel		
78023	For use with 30in x 31in scale	90lb
78024	For use with 36in x 37in scale	100lb
HINGED ACCESS RAMPS For use with portability kit		
PART #	SIZE (W X L)	EST. SHIP WEIGHT
Mild Steel		
78015	29.25in x 12in (sold individually)	25lb
78016	35.25in x 12in (sold individually)	30lb
Stainless Steel		
78017	29.25in x 12in (sold individually)	25lb
78018	35.25in x 12in (sold individually)	30lb



Regional Distributor

803, Riqqa Palace Building, Al-Maktum Ave. P.O.Box 181802 Dubai, UAE
Tel.: +97 14 2270081 Fax: +97 14 2239962 rcsco@eim.ae www.rcs-co.com

