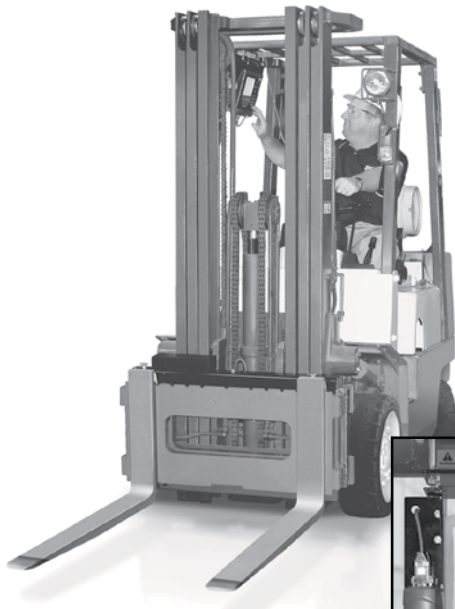


# Floor/Lift Truck/Pallet/Belt Scales

## CLS-920i®

## Cargo Lift Scale



### APPROVALS



Symbol® scanner option

Antenna for WLAN option

### STANDARD FEATURES

- NTEP Certified, 5,000lb
- Two 5,000lb stainless steel load cells
- Compatible with Class II forklift, fleet style carriage
- Mechanical overload stops promote scale longevity and accuracy
- Panoramic, 6in x 20-3/4in view port
- Reinforced cover plate protects load cells and junction box from debris

- Welded centering pin ensures proper alignment and prevents scale from lateral movement
- Two-channel iQUBE®
- Cal-Match™ algorithm automatically trims and calibrates scale

#### Wired Version

- Coiled interface cable from scale to indicator

#### Wireless Version

- ZigBee™ connection from scale to indicator
- Two lithium-ion smart batteries included  
Note: Scale operates using one battery for 24 continuous hours and requires only eight hours to fully charge.
- External battery charger

#### 920i® Indicator

- Stainless steel enclosure
- Two-piece mounting assembly with vibration isolators
- 4.6in W x 3.4in H, back-lit LCD graphical display (320 x 240 pixels)
- User program with data collection and transaction storage including: po number po open/closed, employee ID, last transaction, time and date, actual weight and number of skids
- Internal memory of 1MB for transaction records
- Diagnostics to indicate excessive drift, A/D failure, connection errors, excitation voltage shifts and more
- On/Off toggle switch for forklift battery conservation
- Battery hours remaining displayed as bar graph on main screen (wireless version)

#### Additional 920i Indicator options:

- Symbol® barcode scanner
- WLAN card for real time data transmission to warehouse management system. Indicator alerts operators of potential errors and initiates e-mail of error notification. (WLAN compatible with the following security protocols: WPA-PSK, TKIP encryption and 64/128-bit WEP)
- Indicator corner protection kit (includes corner pads with adhesive strips)

Symbol® is a registered trademark of Symbol Technologies, Inc.

ZigBee™ is a trademark of the ZigBee Alliance.

### SPECIFICATIONS

#### SCALE CAPACITY:

5,000lb

#### SCALE OVERLOAD:

200%

#### ULTIMATE OVERLOAD:

5:1 capacity

#### SCALE POWER:

Wired Version: supplied by indicator through coiled interface cable

Wireless Version: supplied by one lithium-ion smart battery (SMBus revision 1.1 fully compliant)

#### SCALE MATERIAL/FINISH:

Painted Mild Steel

#### SCALE WARRANTY:

Two-year limited warranty

#### SCALE APPROVAL:

NTEP Certified per H-44 at 1,000 divisions, Class III, COC # 06-074

#### 920i DISPLAY:

4.6in W x 3.4in H (116mm W x 86mm H), 320 x 240 pixel VGA Liquid Crystal Display (LCD) module with adjustable contrast

#### 920i POWER - DC:

Line voltages: 10-60VDC DC input

Power consumption: 1.5A Max

Fused at 5.0A

#### 920i OPERATING TEMPERATURE:

Legal: 14°F to 104°F

(-10°C to +40°C)

Industrial: 14°F to 122°F

(-10°C to +50°C)

#### WIRELESS LAN OPTION:

Contains FCC ID: R68WIPORATG

Range: Up to 328 ft indoors

Operating Frequency: ISM 2.4 GHz

#### WIRELESS ZIGBEE CONNECTION:

Contains FCC ID: OUR-XBEE/OUR-XBEEPRO

Contains Model XBee-PRO Radio, IC: 4214A-XBEEPRO

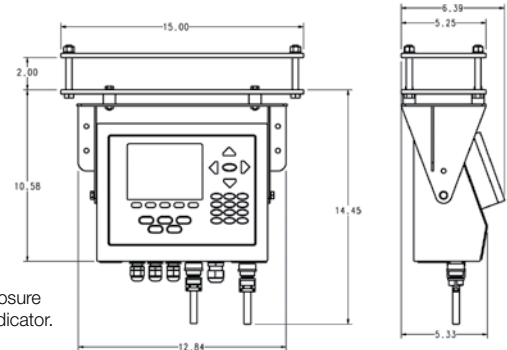
Operating Frequency: ISM 2.4 GHz

#### 920i WARRANTY:

Two-year limited warranty

#### 920i APPROVALS:

NTEP Certified at 10,000 Divisions, Class III/IIIL, CC# 01-088



ZigBee™ wireless enclosure mounted on rear of indicator.