

Floor/Lift Truck/Pallet/Belt Scales

CLS-420

Cargo Lift Scale



APPROVALS



STANDARD FEATURES

- NTEP Certified, 5,000lb
- Two 5,000lb stainless steel load cells
- Compatible with Class II forklift, fleet style carriage
- Mechanical overload stops promote scale longevity and accuracy
- Panoramic 8in x 20-3/4in view port
- Reinforced cover plate protects load cells and junction box from debris
- Welded centering pin ensures proper alignment and prevents scale from lateral movement
- Two-channel iQUBE®
- Cal-Match™ algorithm automatically trims and calibrates scale

Wired Version

- Coiled interface cable from scale to indicator

Wireless Version

- ZigBee™ connection from scale to indicator
- Two lithium-ion smart batteries included
Note: Scale operates using one battery for 24 continuous hours and requires only eight hours to fully charge.
- External battery charger

420 Plus Indicator

- Stainless steel enclosure
- Two-piece mounting assembly with vibration isolators
- Six digit, 0.8in red LED display
- Full numeric keypad for manual entry
- Accumulate weight function for multiple skid loads
- RS-232 port (time and date, weight)
- Full front panel digital calibration
- On/Of button for forklift battery conservation
- Setpoint button to view battery hours remaining (wireless version)

ZigBee™ is a trademark of the ZigBee Alliance.

SPECIFICATIONS

SCALE CAPACITY:

5,000lb

SCALE OVERLOAD:

200%

ULTIMATE OVERLOAD:

5:1 capacity

SCALE POWER:

Wired Version: supplied by indicator through coiled interface cable

Wireless Version: supplied by one lithium-ion smart battery (SMBus revision 1.1 fully compliant)

SCALE MATERIAL/FINISH:

Painted Mild Steel

SCALE WARRANTY:

Two-year limited warranty

SCALE APPROVAL:

NTEP Certified per H-44 at 1,000 divisions, Class III, COC # 06-074

420 PLUS DISPLAY:

0.8in (20mm), 6-digit Super Red Light Emitting Diode (LED), 7-segment digits

420 POWER - DC:

Line voltages: 10-60VDC DC input
Power consumption: 0.75A Max
Fused at 5.0A

420 STATUS ANNUNCIATORS:

Designators for: center of zero, stand still, gross, net, lb, kg, count, tare

420 OPERATING TEMPERATURE:

Legal: 14°F to 104°F
(-10°C to 40°C)
Industrial: 14°F to 122°F
(-10°C to 50°C)

WIRELESS ZIGBEE CONNECTION:

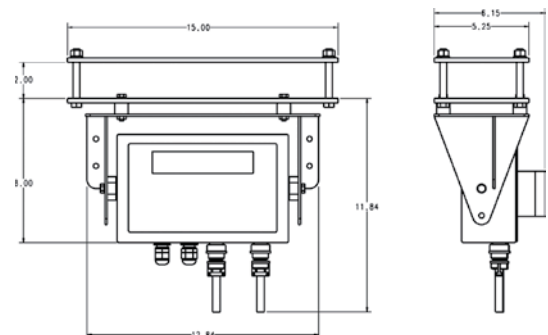
Contains FCC ID: OUR-XBEE/
OUR-XBEEPRO
Contains Model XBee-PRO Radio, IC: 4214A-
XBEEPRO
Operating Frequency: ISM 2.4 GHz

420 WARRANTY:

Two-year limited warranty

420 APPROVALS:

NTEP Certified per H-44 at 10,000 Divisions,
Class III/III, CC# 04-076



ZigBee™ wireless enclosure mounted on rear of indicator.