

PW2D...

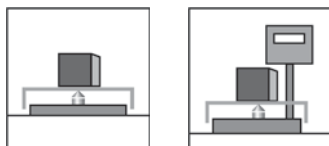
Single point load cells

Special features

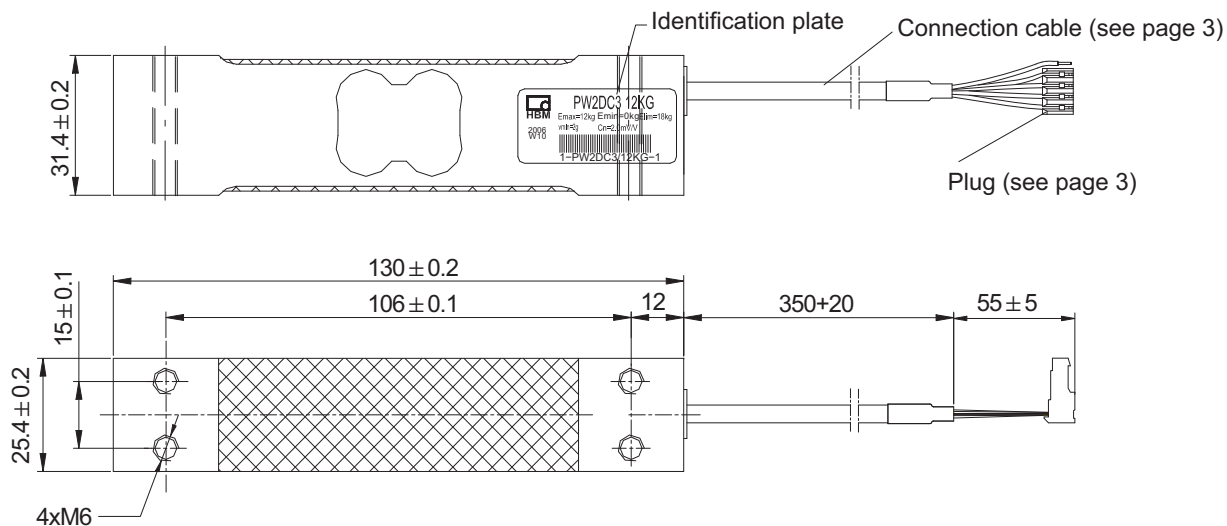
- Accuracy class C3 with OIML-R60 test report
- Max. capacities: 7.2 kg ... 72 kg
- Off center load compensated (OIML R76)
- Degree of protection IP67 (according to EN 60 529)
- Shielded connection cable
- optimized for dynamic weighing applications

Optional:

- Connection cable in six wire circuit
- Different cable lengths
- Aligned output, suitable for connection in parallel



Dimensions (in mm; 1 mm= 0.03937 inches)



Mounting:

Max. capacities \leq 36 kg: fillister-head bolt M6-8.8, tightening torque: 6 N·m
 Max. capacities = 72 kg: fillister-head bolt M6-10.9, tightening torque: 10 N·m

Specifications

Type	PW2D...					
Accuracy class ¹⁾	C3, C3MR					
Maximum number of load cell intervals (n _{LC})	3000					
Maximum capacity (E _{max})	kg	7.2	12	18	36	72
Minimum LC verification interval (v _{min}) (Accuracy class C3)	g	1	2	5	10	20
Temperature effect on zero balance (TK ₀) (Accuracy class C3)	% of C _n / 10 K	±0.0194	±0.0233	±0.0389	±0.0389	±0.0389
Minimum LC verification interval (v _{min}) (Accuracy class C3MR)	g	0.5	1	2	5	10
Temperature effect on zero balance (TK ₀) (Accuracy class C3MR)	% of C _n / 10 K	±0.0097	±0.0116	±0.0155	±0.0194	±0.0194
Max. platform size	mm	380 x 380				
Sensitivity (C _n)	mV/V	2.0 ±0.2				
Zero signal	mV/V	0 ±0.1				
Temperature effect on sensitivity (TK _C) ²⁾ in the temperature range +20 ... +40 °C [+68 ... +104 °F] -10 ... +20 °C [+14 ... +68 °F]	% of C _n / 10 K	±0.0175 ±0.0117				
Relative reversibility error (d _{hy}) ²⁾		±0.0166				
Linearity deviation (d _{lin}) ²⁾		±0.0166				
Ratio of minimum dead load output return (DR)	% of C _n	±0.0166				
Off-center load error ³⁾		±0.0233				
Input resistance (R _{LC})	Ω	300...500				
Output resistance (R ₀)		300...500				
Reference excitation voltage (U _{ref})		5				
Nom. range of excitation voltage (B _U)	V	1 ... 12				
Isolation resistance (R _{is}) at 100 V _{DC}	GΩ	> 2				
Nominal (rated) range of ambient temperature (B _T)	°C [°F]	-10 ... +40 [+14 ... +104]				
Operating temperature range (B _{tu})		-10 ... +50 [+14 ... +122]				
Storage temperature range (B _{tl})		-25 ... +70 [-13 ... +158]				
Limit load (E _L) ^{*)}	% of E _{max}	150				
^{*)} at max. eccentricity	mm	160				
Lateral load limit (E _{lq}), static	% of E _{max}	300				
Breaking load (E _d)		300				
Nominal (rated) displacement at E _{max} (s _{nom}), approx.	mm	0.15	0.13	0.12	0.12	0.13
Natural frequency, approx.	Hz	340	460	600	840	1140
Weight (G), approx.	kg	0.25				
Degree of protection acc. to EN 60 529 (IEC 529)		IP67				
Material: Measuring body		Aluminum				
Application protection		Silicone caoutchouc				
Cable sheath		PVC				

1) According to OIMLR60 with P_{LC} = 0.7

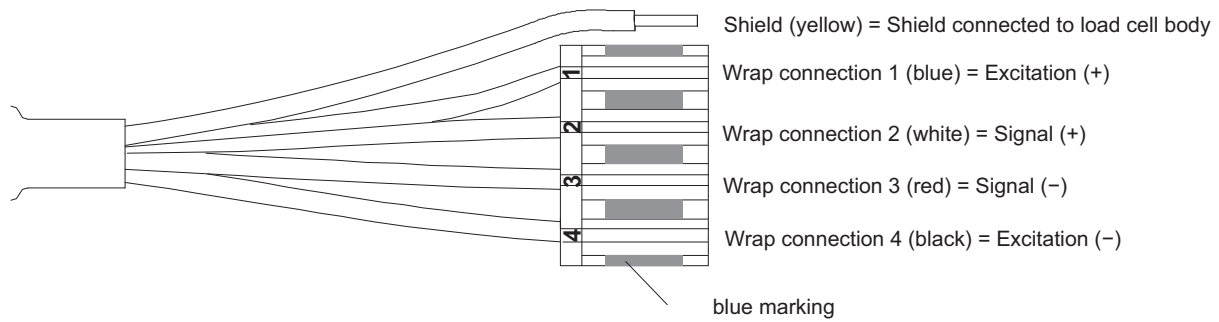
2) The values for linearity deviation (d_{lin}), relative reversibility error (d_{hy}) and temperature effect on sensitivity (TK_C) are recommended values. The sum of these values remain within the cumulated error limit acc. to OIML R60.

3) According to OIML R76.

Wiring code

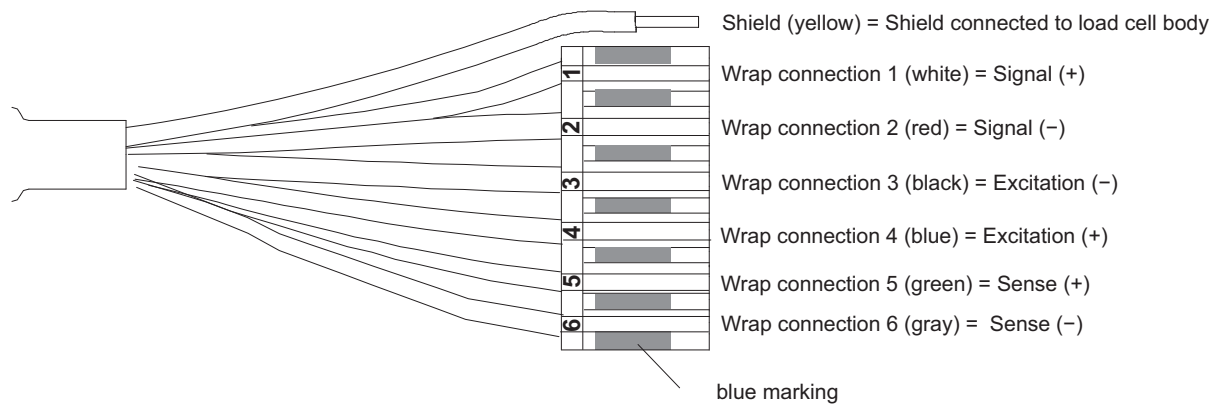
Connection with 4 wire cable (cable length: 0.35 m)

Detailed description of the Pancon plug (CE100F26-4), 4-pole



Connection with 6 wire cable (cable length, selectable: 0.35 m; 1.5 m; 3 m; 6 m)

Detailed description of the Pancon plug (CE100F26-6), 6-pole



Ordering designations

PW2D... (Aluminum)

Type	PW2D	
Accuracy	C3 (OIML)	
Note	Cable length 0.35m (4 wire)	
Capacity	Order no.	
7.2kg	1-PW2DC3/7.2KG-1	
12kg	1-PW2DC3/12KG-1	
18kg	1-PW2DC3/18KG-1	
36kg	1-PW2DC3/36KG-1	
72kg	1-PW2DC3/72KG-1	

K-PW2D... (Aluminum), optional versions

Order no.		
K-PW2D		
Code	Option 1: Mechanical version	
N	-	
Code	Option 2: Accuracy	
C3	C3 (OIML)	
MR	C3-MR (OIML)	
Code	Option 3: Capacity	
7.2	7.2kg	
12	12kg	
18	18kg	
36	36kg	
72	72kg	
Code	Option 4: NN	
N	-	
Code	Option 5: Cable length	
4_0.35	0.35m (4 wire)	
6_0.35	0.35m (6 wire)	
6_1.5	1.5m (6 wire)	
6_3	3m (6 wire)	
6_6	6m (6 wire)	
Code	Option 6: Miscellaneous	
N	without	
A	2mV/V $\pm 0.1\%$ / 410 Ohms ± 0.3 Ohms (aligned output, suitable for connection in parallel)	
K-PW2D - <input type="checkbox"/> - <input type="checkbox"/> - <input type="checkbox"/> - <input type="checkbox"/> - <input type="checkbox"/> - <input type="checkbox"/> - <input type="checkbox"/> - <input type="checkbox"/> - <input type="checkbox"/> - <input type="checkbox"/>		

Regional Distributor



803, Riqqa Palace Building
Al-Maktum Ave.
P.O.Box 181802 Dubai, UAE
Tel: +9714 - 2270081
Fax: +9714 - 2239962
E-mail: rcsco@eim.ae
www.rcs-co.com

Hottinger Baldwin Messtechnik GmbH

Im Tiefen See 45, D-64293 Darmstadt, Germany
Tel.: +49 6151 8030; Fax: +49 6151 803 9100
E-mail: support@hbm.com www.hbm.com



measurement with confidence