

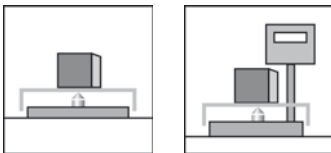


Special features

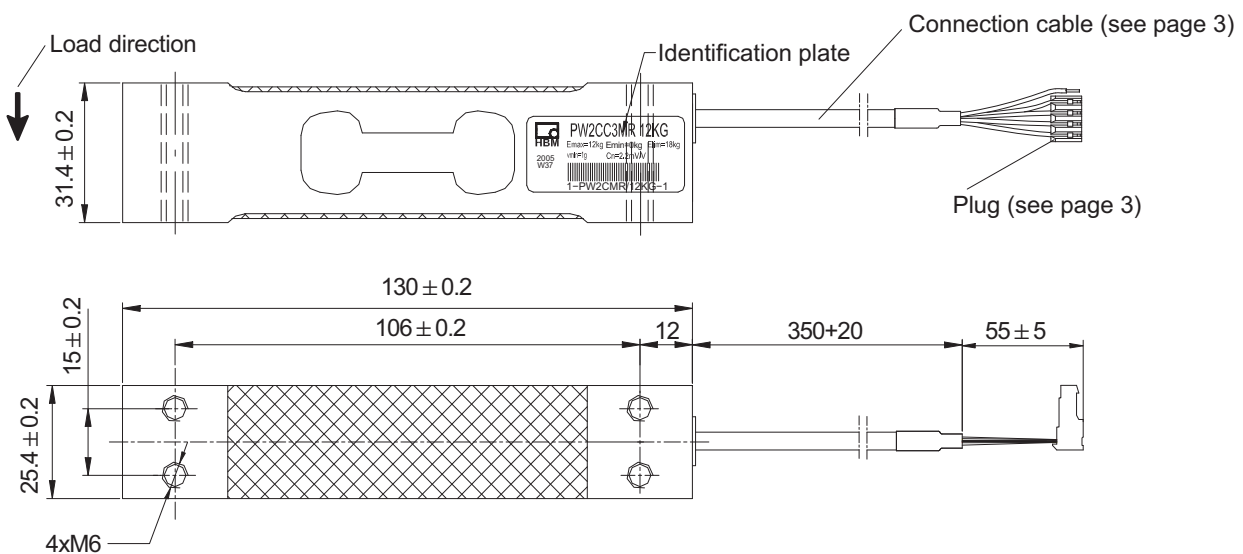
- Accuracy classes C3/C3MR and C6/C6MR with OIML-R60 test report
- Max. capacities: 7.2 kg ... 72 kg
- Off center load compensated (OIML R 76)
- Degree of protection IP67 (according to EN 60 529)
- Shielded connection cable
- Optimized for static weighing applications

Optional:

- Different accuracy classes with OIML-R60 test report
- Connection cable in six wire circuit
- Different cable lengths
- Aligned output, suitable for connection in parallel



Dimensions (in mm; 1 mm = 0.03937 inches)



Mounting:

- Max. capacities \leq 36 kg: cylindrical head screw M6-8.8, tightening torque: 6 N·m
- Max. capacities = 72 kg: cylindrical head screw M6-10.9, tightening torque: 10 N·m

Specifications

Type	PW2C...					
Accuracy class ¹⁾	C3, C3MR					
Maximum number of load cell intervals (n _{LC})	3000					
Maximum capacity (E _{max}) ²⁾	kg	7.2	12	18	36	72
Minimum LC verification interval (v _{min}) (Accuracy class C3)	g	1	2	5	10	20
Temperature effect on zero balance (TK ₀) (Accuracy class C3)	% of C _n / 10 K	±0.0194	±0.0233	±0.0389	±0.0389	±0.0389
Minimum LC verification interval (v _{min}) (Accuracy class C3MR)	g	0.5	1	2	5	10
Temperature effect on zero balance (TK ₀) (Accuracy class C3MR)	% of C _n / 10 K	±0.0097	±0.0116	±0.0155	±0.0194	±0.0194
Max. platform size	mm	380 x 380				
Sensitivity (C _n)	mV/V	2.2 ±0.2				
Zero signal	mV/V	0 ±0.12				
Temperature effect on sensitivity (TK _C) ³⁾ in the temperature range +20 ... +40 °C [+68 ... +104 °F] -10 ... +20 °C [+14 ... +68 °F]	% of C _n / 10 K	±0.0175 ±0.0117				
Relative reversibility error (d _{hy}) ³⁾		±0.0166				
Linearity deviation (d _{lin}) ³⁾		±0.0166				
Minimum dead load output return (MDLOR)	% of C _n	±0.0166				
Off-center load error ⁴⁾		±0.0233				
Input resistance (R _{LC})	Ω	300...500				
Output resistance (R ₀)		300...500				
Reference excitation voltage (U _{ref})		5				
Nom. range of excitation voltage (B _U)	V	1 ... 12				
Isolation resistance (R _{is}) at 100 V _{DC}	GΩ	> 2				
Nominal (rated) range of ambient temperature (B _T)		-10 ... +40 [+14 ... +104]				
Operating temperature range (B _{tu})	°C [°F]	-10 ... +50 [+14 ... +122]				
Storage temperature range (B _{st})		-25 ... +70 [-13 ... +158]				
Limit load (E _L) ^{*)}	% of E _{max}	150				
^{*)} at max. eccentricity	mm	160				
Lateral load limit (E _{lq}), static	% of E _{max}	300				
Breaking load (E _d)		300				
Nominal (rated) displacement at E _{max} (s _{nom}), approx.	mm	< 0.5				
Weight (G), approx.	kg	0.25				
Degree of protection acc. to EN 60 529 (IEC 529)		IP67				
Material: Measuring body		Aluminum				
Application protection		Silicone rubber				
Cable sheath		PVC				

1) According to OIMLR60 with P_{LC} = 0.7

2) Max. eccentric loading according to OIML R76

3) The values for linearity deviation (d_{lin}), relative reversibility error (d_{hy}) and temperature effect on sensitivity (TK_C) are recommended values. The sum of these values remain within the cumulated error limit acc. to OIML R60.

4) According to OIML R76.

Specifications (continuation)

Type	PW2C...					
Accuracy class ¹⁾	C6, C6MR					
Maximum number of load cell intervals (n_{LC})	6000					
Maximum capacity (E_{max}) ²⁾	kg	7.2	12	18	36	72
Minimum LC verification interval (v_{min}), (Accuracy class C3)	g	0.5	1	2	5	10
Temperature effect on zero balance (TK_0) (Accuracy class C6)	% of C_n / 10 K	± 0.0097	± 0.0116	± 0.0155	± 0.0194	± 0.0194
Minimum LC verification interval (v_{min}), (Accuracy class C6MR)	g	-	-	1	2	-
Temperature effect on zero balance (TK_0) (Accuracy class C6MR)	% of C_n / 10 K	-	-	± 0.0070	± 0.0070	-
Max. platform size	mm	380 x 380				
Sensitivity (C_n)	mV/V	2.2 \pm 0.2				
Zero signal		0 \pm 0.12				
Temperat. effect on sensitivity (TK_C) ³⁾ in the temperature range +20 ... +40 °C [+68 ... +104 °F] -10 ... +20 °C [+14 ... +68 °F]	% of C_n / 10 K	± 0.0087 ± 0.0058				
Relative reversibility error (d_{hy}) ³⁾	% of C_n	± 0.0083				
Non-linearity (d_{lin}) ³⁾		± 0.0083				
Minimum dead load output return (MDLOR)		± 0.0083				
Off-center load error ⁴⁾		± 0.0116				

1) According to OIMLR60 with $P_{LC} = 0.7$

2) Max. eccentric loading according to OIML R76

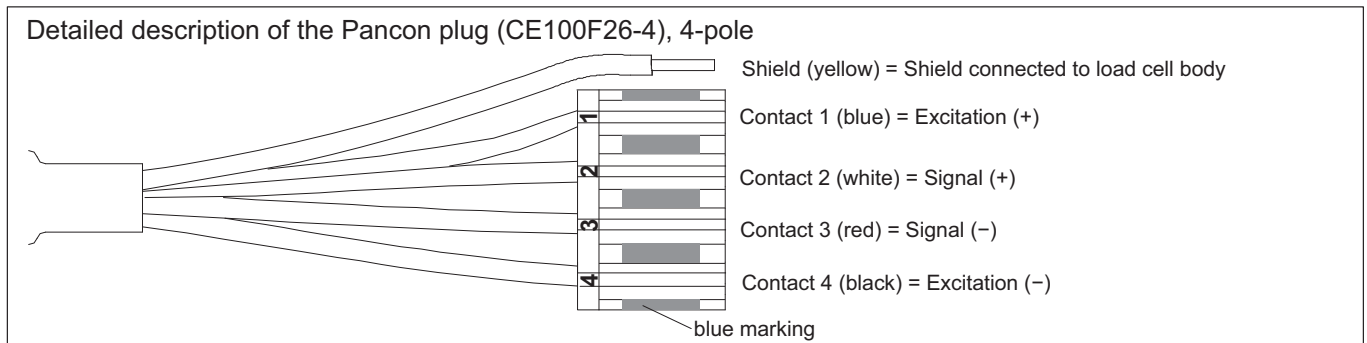
3) The values for linearity deviation (d_{lin}), relative reversibility error (d_{hy}) and temperature effect on sensitivity (TK_C) are recommended values. The sum of these values remain within the cumulated error limit acc. to OIML R60.

4) According to OIML R76.

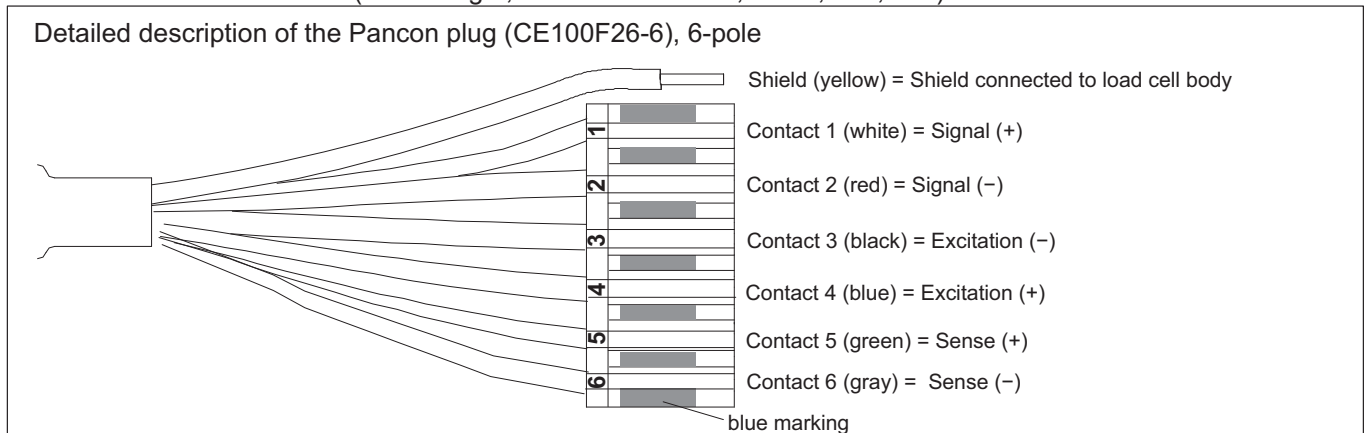
For more specifications, see table PW2C, accuracy class C3, C3MR (page 2)

Wiring code

Connection with 4 wire cable (cable length: 0.35 m)



Connection with 6 wire cable (cable length, selectable: 0.35 m; 1.5 m; 3 m; 6 m)



Ordering codes

PW2C... / K-PW2C-... *)

Optimized for static weighing applications

PW2C... (Aluminum)

Type	PW2C	
	C3-MR (OIML)	C6 / C6MR (OIML)
Accuracy	Cable length 0.35m (4 wire)	Cable length 3m (6 wire)
Note	Order no.	Order no.
Capacity	Order no.	Order no.
7.2kg	1-PW2CMR/7.2KG-1	-
12kg	1-PW2CMR/12KG-1	1-PW2CC6/12KG-1
18kg	1-PW2CMR/18KG-1	1-PW2CC6MR/18KG-1
36kg	1-PW2CMR/36KG-1	1-PW2CC6MR/36KG-1
72kg	1-PW2CMR/72KG-1	-

K-PW2C-... (Aluminum), optional versions

Order no.	
K-PW2C	
Code	Option 1: Mechanical version
N	-
Code	Option 2: Accuracy
C3	C3 (OIML)
MR	C3-MR (OIML)
C6	C6 (OIML)
Code	Option 3: Capacity
7.2	7.2kg
12	12kg
18	18kg
36	36kg
72	72kg
Code	Option 4: NN
N	-
Code	Option 5: Cable length
4_0.35	0.35m (4 wire)
6_0.35	0.35m (6 wire)
6_1.5	1.5m (6 wire)
6_3	3m (6 wire)
6_6	6m (6 wire)
Code	Option 6: Miscellaneous
N	without
A	2mV/V ±0.1% / 410 Ohms ±0.2 Ohms (aligned output, suitable for connection in parallel)
K-PW2C - N - [] - [] - [] - N - [] - [] - [] - [] - []	

*) Substituting PW2A... and PW2G...

Regional Distributor



803, Riqqa Palace Building
Al-Maktum Ave.
P.O.Box 181802 Dubai, UAE
Tel: +9714 - 2270081
Fax: +9714 - 2239962
E-mail: rcsco@eim.ae
www.rcs-co.com

Hottinger Baldwin Messtechnik GmbH

Im Tiefen See 45, D-64293 Darmstadt, Germany
Tel.: +49 6151 8030; Fax: +49 6151 803 9100
E-mail: support@hbm.com www.hbm.com



measurement with confidence