

PW16A...

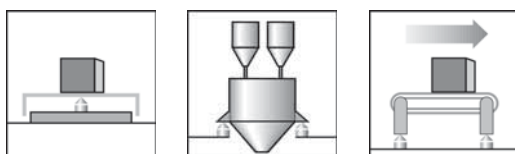
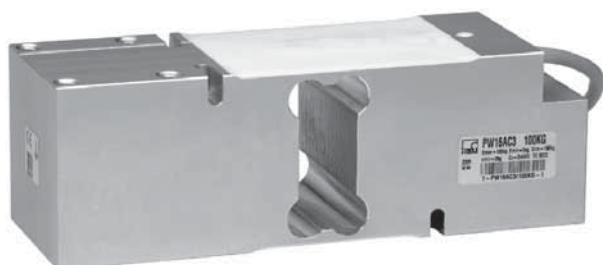
Single point load cells

Special features

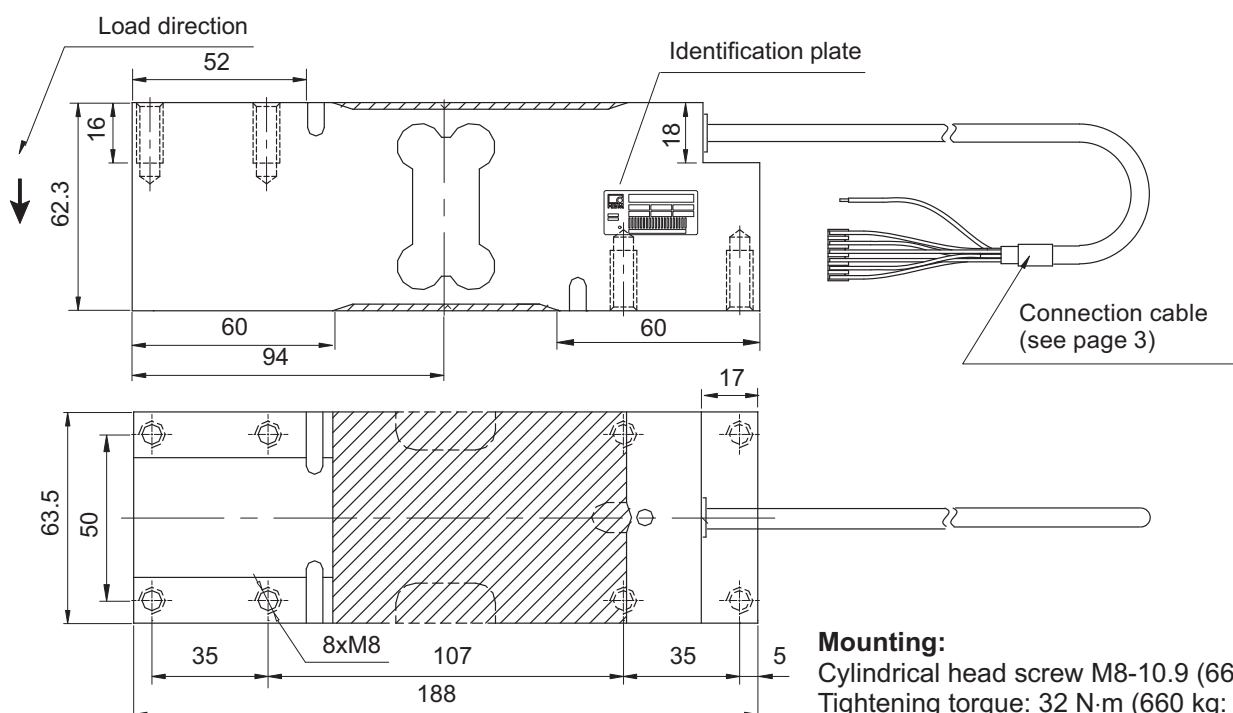
- OIML-R60 approval
- Max. Capacities: 30 kg...660 kg
- Off center load compensated (OIML R76)
- Meets EMC standards (EN 45 501)
- 6-wire circuit

Optional:

- Reduced minimum LC verification interval (v_{min}) for multi range applications
- Explosion proof versions
- different cable lengths
- Aligned output, suitable for connection in parallel



Dimensions (in mm; 1 mm = 0.03937 inches)



Mounting:

Cylindrical head screw M8-10.9 (660 kg: M8-12.9)
Tightening torque: 32 N·m (660 kg: 39 N·m)

Specifications

Type	PW16A...										
Accuracy class ¹⁾	C3, C3MR										
Number of load cell intervals (n _{LC})	3000										
Max. capacity (E _{max})*	kg	30	50	75	100	150	200	250	300	500	660
Minimum LC verification interval (v _{min}) Accuracy class C3	g	5	10	10	20	20	50	50	50	100	100
Temperature effect on zero balance (TK ₀) Accuracy class C3	% of C _n / 10 K	± 0.0233	± 0.0280	± 0.0187	± 0.0280	± 0.0187	± 0.0350	± 0.0280	± 0.0233	± 0.0280	± 0.0212
Minimum LC verification interval (v _{min}) Accuracy class C3MR	g	2	5	5	10	10	20	20	20	50	50
Temperature effect on zero balance (TK ₀) Accuracy class C3MR	% of C _n / 10 K	± 0.0093	± 0.0140	± 0.0093	± 0.0140	± 0.0093	± 0.0140	± 0.0112	± 0.0093	± 0.0140	± 0.0106
Max. platform size	mm	600 x 600									
Sensitivity (C _n)	mV/V	2.0 ± 0.2									
Zero balance		0 ± 0.1									
Temperature effect on sensitivity (TK _C) ²⁾ Temperature range +20 ... +40 °C [+68 ... +104 °F] -10 ... +20 °C [+13 ... +68 °F]	% of C _n / 10 K	± 0.0175 ± 0.0117									
Hysteresis error (d _{hy}) ²⁾	% of C _n	± 0.0166									
Non-linearity (d _{lin}) ²⁾		± 0.0166									
Minimum dead load output return (DR)		± 0.0166									
Off center load error ³⁾		± 0.0233									
Input resistance (R _{LC})	Ω	300 ... 500									
Output resistance (R ₀)		300 ... 500									
Reference excitation voltage (U _{ref})	V	5									
Nominal range of excitation voltage (B _U)		0 ... 12									
Max. excitation voltage		15									
Insulation resistance (R _{is}) at 100 V _{DC}		> 2									
Nominal temperature range (B _T)	°C [°F]	-10 ... +40 [+14 ... +104]									
Service temperature range (B _{tu})		-10 ... +50 [+14 ... +122]									
Storage temperature range (B _{tl})		-25 ... +70 [-13 ... +158]									
Safe load limit (E _L)	% of E _{max}	150									
Lateral limit force (E _{lq}), static		300									
Breaking load (E _d)		300									
Deflection at E _{max} (s _{nom}), approx.	mm	< 0.5									
Weight (G), approx.	kg	1.8									
Protection class according to EN 60 529 (IEC 529)		IP67									
Material: Measuring element Coating Cable sheath		Aluminum Silicone rubber PVC									

* For max. capacities 30kg, 50kg: OIML certificate in preparation

1) In accordance to OIML-R60 with P_{LC} = 0.7

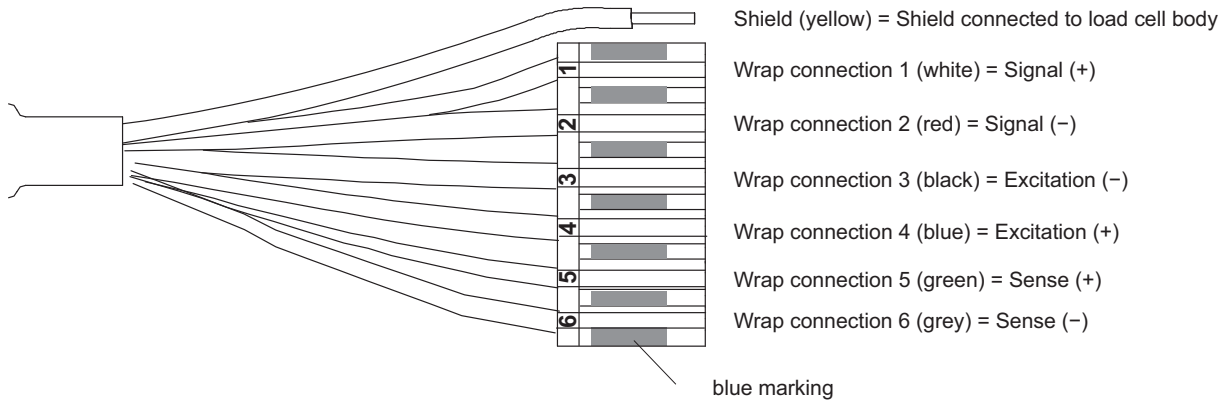
2) The sum of data for Non-linearity, Hysteresis error and TC Span meets the requirements of OIML R60.

3) Eccentric error according to OIML R76 class.

Wiring code

Connection with 6 wire cable (selectable cable length: 1.5 m; 3 m; 6 m, 12 m)

Detailed description of the Pancon plug (CE100F26-6), 6-pole



Ordering codes

PW16A... (Aluminum)

Type	PW16A	
Accuracy	C3 (OIML)	
Note	Cable length 3m (6 wire)	
Capacity	Order no.	
30kg	1-PW16AC3/30KG-1	
50kg	1-PW16AC3/50KG-1	
75kg	1-PW16AC3/75KG-1	
100kg	1-PW16AC3/100KG-1	
150kg	1-PW16AC3/150KG-1	
200kg	1-PW16AC3/200KG-1	
250kg	1-PW16AC3/250KG-1	
300kg	1-PW16AC3/300KG-1	
500kg	1-PW16AC3/500KG-1	
660kg	1-PW16AC3/660KG-1	

K-PW16A-... (Aluminum), optional versions [!!!]

Order no.	
K-PW16A	
Code	Option 1: Mechanical version
N	Standard
Code	Option 2: Accuracy
C3	C3 (OIML)
MR	C3-MR (OIML)
Code	Option 3: Capacity
30	30kg
50	50kg
75	75kg
100	100kg
150	150kg
200	200kg
250	250kg
300	300kg
500	500kg
660	660kg
Code	Option 4: Ex protection
N	non Ex
1+21	ATEX Zone 1 + 21 [only with Option 6 = N]
2+22	ATEX Zone 2 + 22 (non-conductive dust) [only with Option 6 = N]
Code	Option 5: Cable length
1.5	1.5m
3	3m
6	6m
12	12m
Code	Option 6: Miscellaneous
N	without
A	2mV/V ±0.1% / 410 Ohms ±0.3 Ohms [only with Option 4 = N] (aligned output, suitable for connection in parallel)
K-PW16A - [N] - [] - [] - [] - [] - []	

[!!!]: Not all codes can be combined with each other. Please take heed of the terms in the square brackets!

Regional Distributor



803, Riqqa Palace Building
Al-Maktum Ave.
P.O.Box 181802 Dubai, UAE
Tel: +9714 - 2270081
Fax: +9714 - 2239962
E-mail: rcsco@eim.ae
www.rcs-co.com

Hottinger Baldwin Messtechnik GmbH

Im Tiefen See 45, D-64293 Darmstadt, Germany
Tel.: +49 6151 8030; Fax: +49 6151 803 9100
E-mail: support@hbm.com www.hbm.com



measurement with confidence