



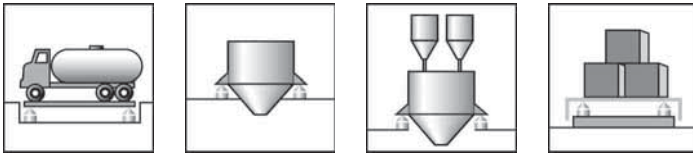
RTN...

Load cells



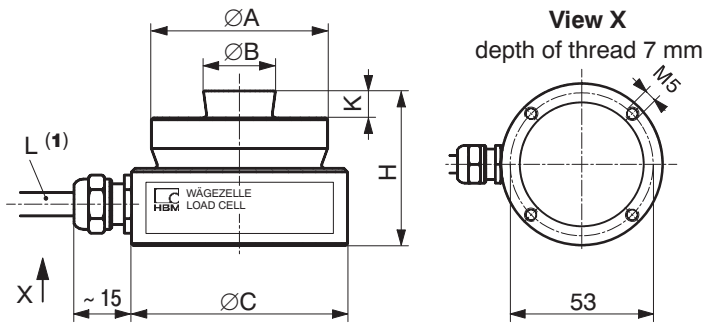
Special features

- Low construction
- Max. capacities: 1 t ... 470 t
- Legal for trade according to OIML
- Stainless steel
- Protection class IP 68
- High output signal of 2.85 mV/V
- Input resistance $\geq 4350 \Omega$
- Explosion proof versions according to ATEX (Option)

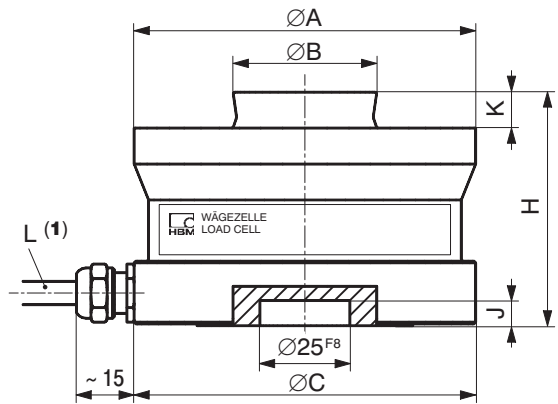


Dimensions (in mm; 1 mm= 0.03937 inches)

RTN... / $\leq 4,7$ t



RTN... / 10 t ... 470 t



RTN...	1 t	2.2 t	4.7 t	10 t	15 t	22 t	33 t	47 t	68 t	100 t	150 t	220 t	330 t	470 t
ØA	49	49	49	74	75	75	95	130	130	150	150	225	225	270
ØB	20	20	20	30	30	30	40	60	60	70	70	100	100	120
ØC	60	60	60	75	75	75	95	130	130	150	150	225	225	270
H	43	43	43	50	50	50	65	75	85	90	100	130	145	170
J	-	-	-	7	7	7	7	7	7	7	7	10	10	10
K	7.5	7.5	7.5	6.5	6.5	6.5	10	14	14	16	16	24	24	28
L	5 m	5 m	5 m	5 m	5 m	12 m	15 m	12 m	12 m	12 m	5 m	5 m	5 m	5 m

(1) L = Cable length

Specifications

Type		RTN 0,05	RTN C3
Nominal (rated) load (E_{max})		1 t ... 470 t	
Accuracy class		0.05	C3 (OIML R60)
Maximum number of load cell intervals (n_{LC})		-	3000
Minimum LC verification interval (v_{min})	% of E_{max}	-	0.005 (= $E_{max} / 20000$)
Sensitivity (C_n)	mV/V	2.85 ± 0.1 %	
Temperature effect on sensitivity (TK_C)	% of C_n	± 0.05	± 0.008 ¹⁾
Temperature effect on zero balance (TK_0)	/ 10 K	± 0.03	± 0.007
Hysteresis error (d_{hy})		± 0.05	± 0.02 ¹⁾
Non-linearity (d_{lin})	% of C_n	± 0.05	± 0.02 ¹⁾
Creep (d_{cr}) over 30 min.		± 0.03	± 0.017
Input resistance (R_{LC})		4450 ± 100	
Output resistance (R_0)	Ω	4010 ± 2	4010 ± 0.5
Reference excitation voltage (U_{ref})		5	
Nominal range of excitation voltage (B_U)	V	5 ... 30 (max. 60)	
Carrier frequency of the excitation voltage	Hz	< 600	
Insulation resistance (R_{is})	GΩ	> 20	
Nominal temperature range (B_T)		-10 ... +40 [+14 ... +104]	
Service temperature range (B_{tu})		-30 ... +80 [-22 ... +176] (Option: up to +110 °C / +230 °F)	
• Load cell RTN	°C [°F]	-30 ... +80 [-22 ... +176]	
• Accessory: VEN		-30 ... +110 [-22 ... +230]	
• Accessory: VPN		-50 ... +85 [-58 ... +185]	
Storage temperature range (B_{tl})		-50 ... +85 [-58 ... +185]	

Nominal (rated) load (E_{max})	t	1	2.2	4.7	10	15	22	33	47	68	100	150	220	330	470
Weight (G), approx.	kg	0.6	0.6	0.7	1.2	1.3	1.3	2.1	4.3	4.8	7.0	8.6	22	29	50
Safe load limit (E_d)	t	1.7	3.8	8	17	25	38	56	80	115	170	250	380	500	700
Breaking load (E_d)		4	9	19	40	60	88	130	190	270	400	600	770	1100	1500
Permissible static side load (L_q)		0.5 ($E_{max} - 0.8 L_z$), but no higher than $L_{q max} = 0.3 E_{max}$ E_{max} = Nominal (rated) load; L_z = load in measuring direction													
Permissible dynamic load (F_{srel}) (vibration amplitude according to DIN 50100)	% of E_{max}	70													
Deflection at E_{max} (s_{nom}), approx.	mm	0.13	0.12	0.12	0.17	0.18	0.21	0.25	0.33	0.35	0.45	0.57	0.67	0.85	1.00
Protection class to EN60529 (IEC529)		IP 68 (test conditions 100 h at 1 m water column)													
Material: Measuring element Cable fitting Cable-sheath		Stainless steel Brass, nickel plated / Sealing: CR/NBR Special silikon, RAL 7000 (grey), Ø6.5 mm													

¹⁾ The data for Non-linearity (d_{lin}), Hysteresis error (d_{hy}) and Temperature effect on sensitivity (TK_C) are typical values. The sum of these data meets the requirements according to OIML R60.

Wiring code RTN...		
	(black)	Excitation (+)
	(red)	Signal (+)
	(blue)	Excitation (-)
	(white)	Signal (-)
	(green-yellow)	Shield

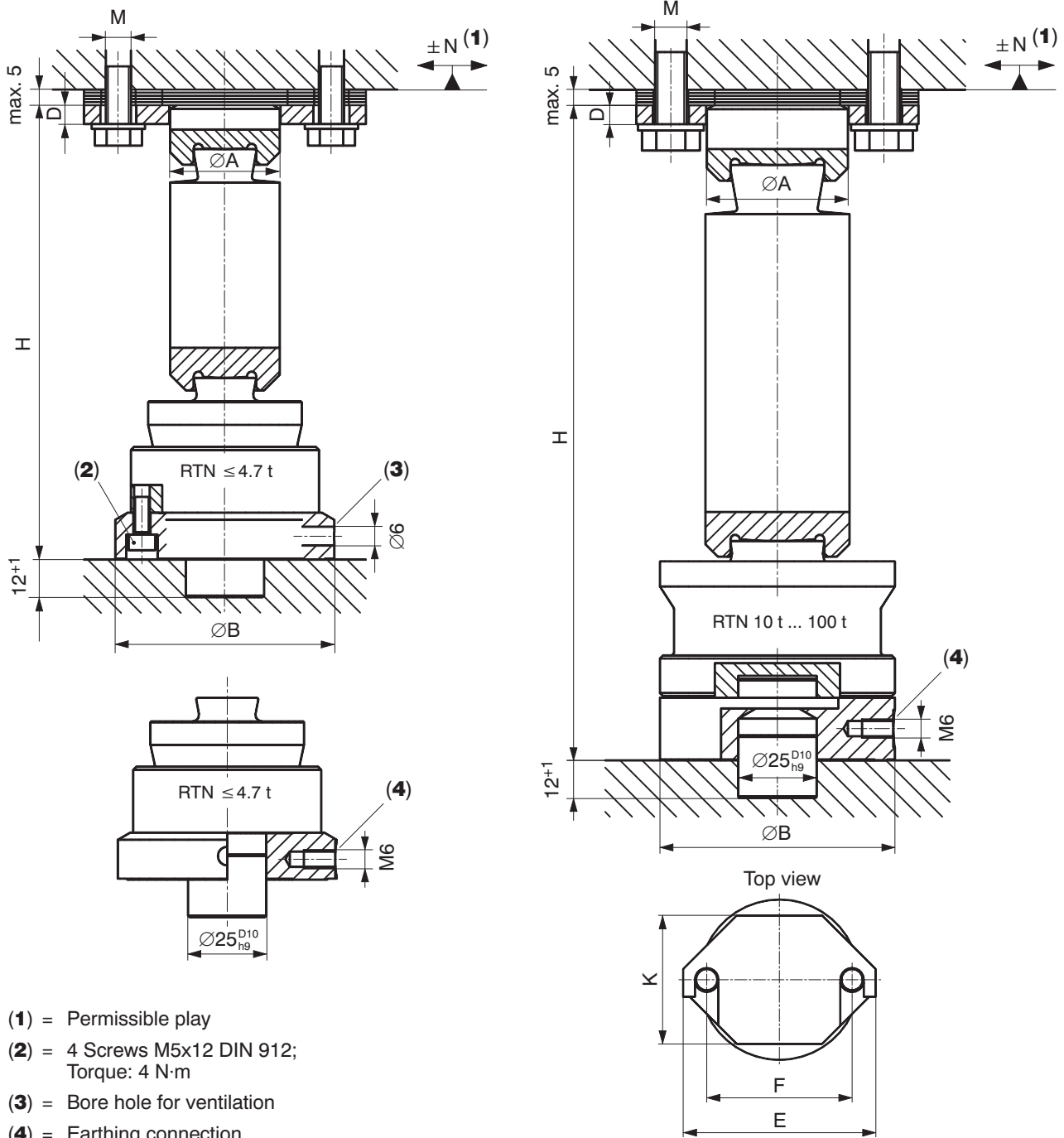
Available Options:

- **Explosion-proof versions according to ATEX:** Ex II 2G EEx ia IIC T4 resp. T6 (Zone 1) *)
Ex II 2D Ex tD A21 IP68 T 80 °C (Zone 21) *)
*) with EC-Type Examination Certificate
Ex II 3G EEx nA II T6 (Zone 2)
Ex II 3D IP68 T 80 °C (Zone 22 for non-conductive dust)
- **Service temperature range up to +110 °C** (not possible in connection with ATEX and / or Elastomer mounts VEN)

Accessory: Pendulum mounts VPN (Dimensions in mm; 1 mm = 0.03937 inches)

RTN/...T/VPN (Pendulum mounts for Load cells RTN... / 1 t ... 100 t)

Material: Stainless steel



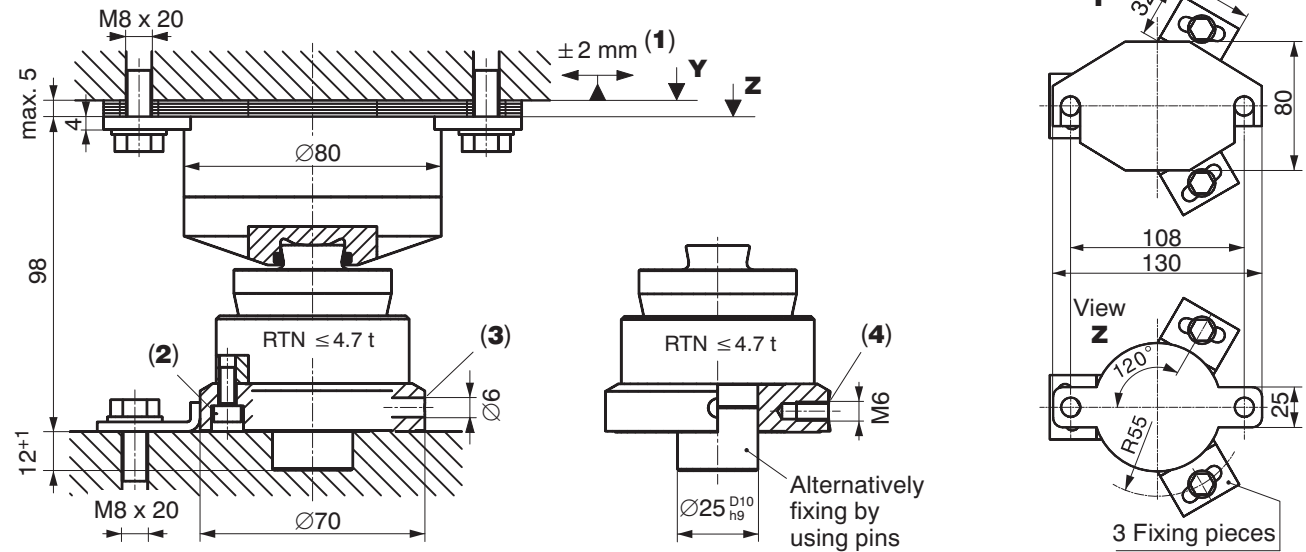
Type (E_{max} Load cell)	ØA	ØB	D	E	F	H	K	M	N
RTN/2.2T/VPN (1 t + 2.2 t)	35	70	6	90	68	128	60	M8 x 20	3.5
RTN/4.7T/VPN (4.7 t)	35	70	6	90	68	145	60	M8 x 20	3.5
RTN/10T/VPN (10 t)	45	75	6	90	68	165	60	M10 x 25	3.5
RTN/15T/VPN (15 t)	45	75	6	90	68	175	60	M10 x 25	4
RTN/22T/VPN (22 t)	45	75	6	90	68	229	60	M10 x 25	7
RTN/33T/VPN (33 t)	58	95	6	120	90	272	80	M12 x 25	7
RTN/47T/VPN (47 t)	85	130	10	170	130	295	110	M16 x 30	6
RTN/68T/VPN (68 t)	85	130	10	170	130	337	110	M16 x 30	7
RTN/100T/VPN (100 t)	100	150	10	180	140	371	130	M16 x 30	8

Accessory: Elastomer mounts VEN (Dimensions in mm; 1 mm = 0.03937 inches)

RTN/2.2T/VEN + RTN/4.7T/VEN (Elastomer mounts for Load cells RTN... / ≤ 4.7 t)

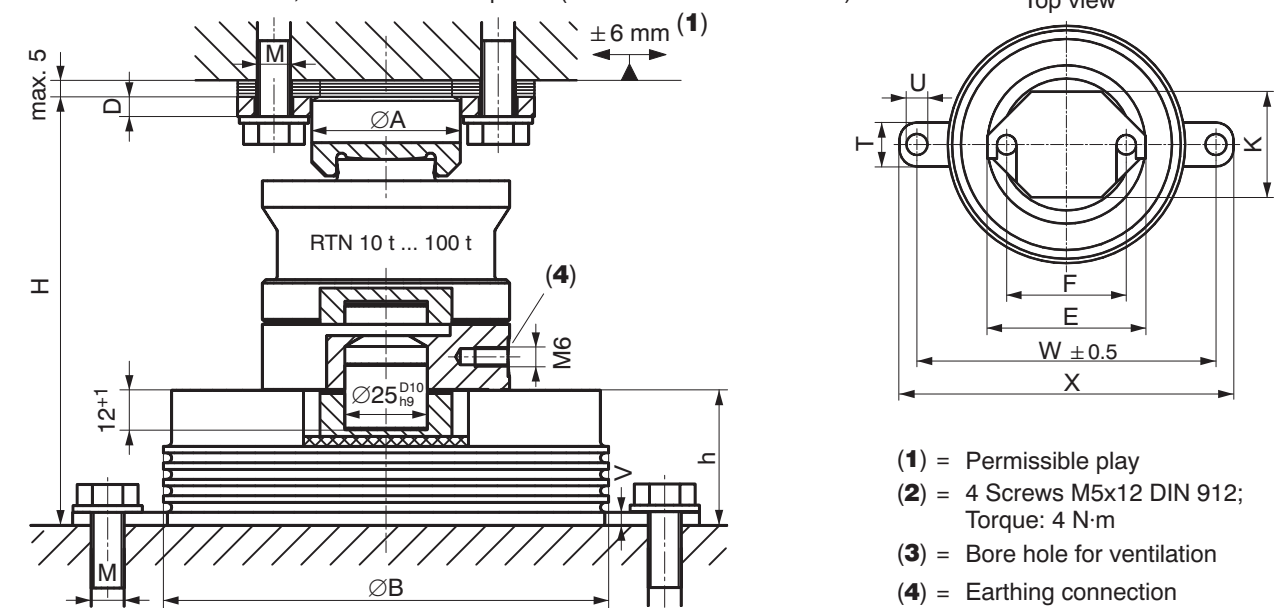
Material: Stainless steel; Elastomer = Neoprene (chlorine butadiene rubber)

Deflection < 0.8 mm (at 4.7 t)



RTN/...T/VEN (Elastomer mounts for Load cells RTN... / 10 t ... 100 t)*

Material: Galvanized steel; Elastomer = Neoprene (chlorine butadiene rubber)



Type (E _{max} Load cell)	Deflection	ØA	ØB	D	E	F	H	h	K	M	T	ØU	V	W ± 0.5	X
RTN/22T/VENR (10 t ... 22 t) Stainless steel	0.5 (at 22 t)	45	135	6	90	68	130	41	60	M10x25	25	12	4	170	190
RTN/22T/VEN (10 t ... 22 t)	0.5 (at 22 t)	45	135	6	90	68	130	41	60	M10x25	25	12	4	170	190
RTN/33T/VEN (33 t)	0.8	58	175	6	120	90	168	56	80	M12x25	30	17	6	250	280
RTN/47T/VEN (47 t)	0.5	85	250	10	170	130	198	63	110	M16x30	40	21	8	310	350
RTN/68T/VEN (68 t)	0.7	85	250	10	170	130	220	63	110	M16x30	40	21	8	310	350
RTN/100T/VEN (100 t)	0.6	100	300	10	180	140	239	68	130	M16x30	40	21	8	360	400

* Elastomer mounts VEN for higher capacities on request

Regional Distributor



803, Riqqa Palace Building
Al-Maktum Ave.
P.O.Box 181802 Dubai, UAE
Tel: +9714 - 2270081
Fax: +9714 - 2239962
E-mail: rcsco@eim.ae
www.rcs-co.com

Hottinger Baldwin Messtechnik GmbH

Im Tiefen See 45, D-64293 Darmstadt, Germany
Tel.: +49 6151 8030; Fax: +49 6151 803 9100
E-mail: support@hbm.com www.hbm.com



measurement with confidence