

KMR

Force Washer

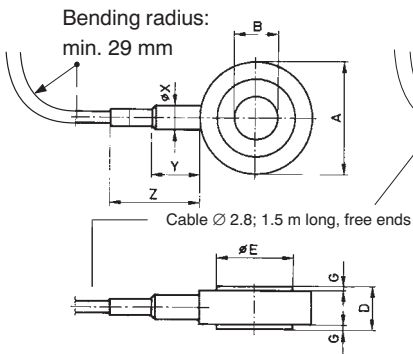
Special features

- Force washer
- Nominal forces 20 kN ... 400 kN
- protection to IP 67
- Stainless steel
- High repeatability

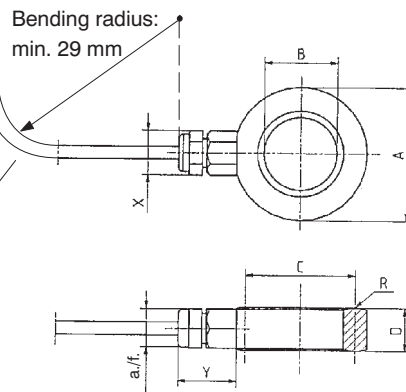


Dimensions (in mm)

KMR; 20 kN, 40 kN, 60 kN

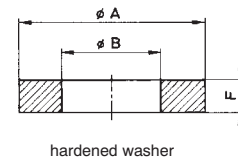


KMR; 100 kN, 200 kN, 300 kN and 400 kN
(with PG gland and ball radius R)



Cable assignment KMR

Assignment	Cable core colour
Measurement signal (+)	white
Bridge excitation voltage (-)	black
Bridge excitation voltage (+)	blue
Measurement signal (-)	red
Shield	yellow



Nom. force in kN	ØA _{-0.1}	ØB _{+0.1}	C	D	E	F	G	R	X	Y	Z	for screw	a./f.
20	17	6.5	-	6	9	3	0.5	-	6 app.	11.5 app.	25 app.	M6; 1/4"	-
40	21	8	-	6	13	3	0.5	-	6 app.	11.5 app.	25 app.	M8; 5/16"	-
60	24	10	-	8	16	4	0.5	-	6 app.	11.5 app.	25 app.	M10; 3/8"	-
100	26.5	12.7	19.75	10	-	5	-	6	10.5 app.	14.5 app.	-	M12; 1/2"	9
200	31	16	25.5	10	-	6	-	8	10.5 app.	14.5 app.	-	M16; 5/8"	9
300	37	21	31.5	10.5	-	6	-	9	10.5 app.	14.5 app.	-	M20; 3/4"	9
400	46	25	38	12.5	-	8	-	10	10.5 app.	14.5 app.	-	M24; 7/8"	9

Specifications

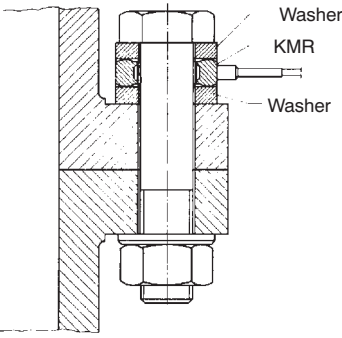
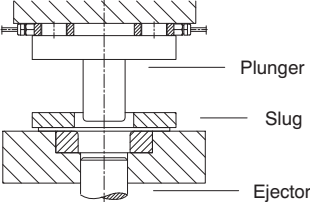
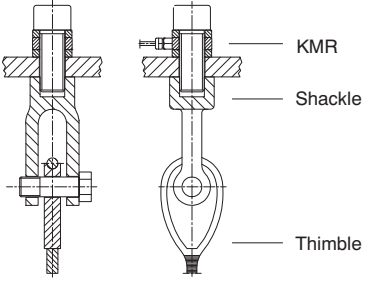
Type		KMR						
Nominal force	kN	20	40	60	100	200	300	400
Sensitivity range	mV/V	1.7...2.3 ¹⁾						
Temperature coefficient of the sensitivity in the nominal temperature range	%/10 K ²⁾	≤ ± 1						
Temperature coefficient of the zero signal in the nominal temperature range	%/10 K	≤ ± 0.5						
Repeatability								
identical mounting position	%	≤ ± 1						
modified mounting position	%	≤ ± 10						
Creep over 30 min.	%	≤ ± 2						
Input resistance	Ohm	560 ± 190						
Output resistance	Ohm	350 ± 5						400 ± 5
Insulation resistance	GOhm	> 5						
Service range of the excitation voltage	V	0.5...12 ³⁾						
Nominal temperature range	°C [°F]	-10...+70 [+14...+158]						
Operating temperature range	°C [°F]	-10...+70 [+14...+158]						
Storage temperature range	°C [°F]	-30...+85 [-22...+185]						
Breaking force	%	500						
Nominal displacement ± 15 %	mm	0.06		0.08	0.11	0.21	0.32	
Natural frequency	kHz	22	45	47	27	22	18	15
Permissible oscillation amplitude (DIN 50 100)	%	50						
Protection to EN 60 529		IP 67						

1) Depending on the selected mounting arrangement, the sensitivity of a force washer is 1.7 ... 2.3 mV/V. With identical mounting position (fixed position), the force readings are repeatable with an error of < ± 1 %.

2) All %-values refer to full scale.

3) For nominal forces of 20 kN, 40 kN, 60 kN: 0.5 V...5 V

Examples for application

Monitoring a screw preload	Force monitoring	
		
<p>Figure 1: The preload is measured with a repeatability of < ± 1 %.</p>	<p>Figure 2: The KMR is used for monitoring of the adjusted deep-draw pressing force with a repeatability of < ± 1 %.</p>	<p>Figure 3: Monitoring rope forces.</p>

Scope of supply: KMR Force washer, two hardened washers, mounting instructions

Regional Distributor



803, Riqqa Palace Building
Al-Maktum Ave.
P.O.Box 181802 Dubai, UAE
Tel: +9714 - 2270081
Fax: +9714 - 2239962
E-mail: rcsco@eim.ae
www.rcs-co.com

Hottinger Baldwin Messtechnik GmbH

Im Tiefen See 45, D-64293 Darmstadt, Germany
Tel.: +49 6151 8030; Fax: +49 6151 803 9100
E-mail: support@hbm.com www.hbm.com



measurement with confidence