

# C9B

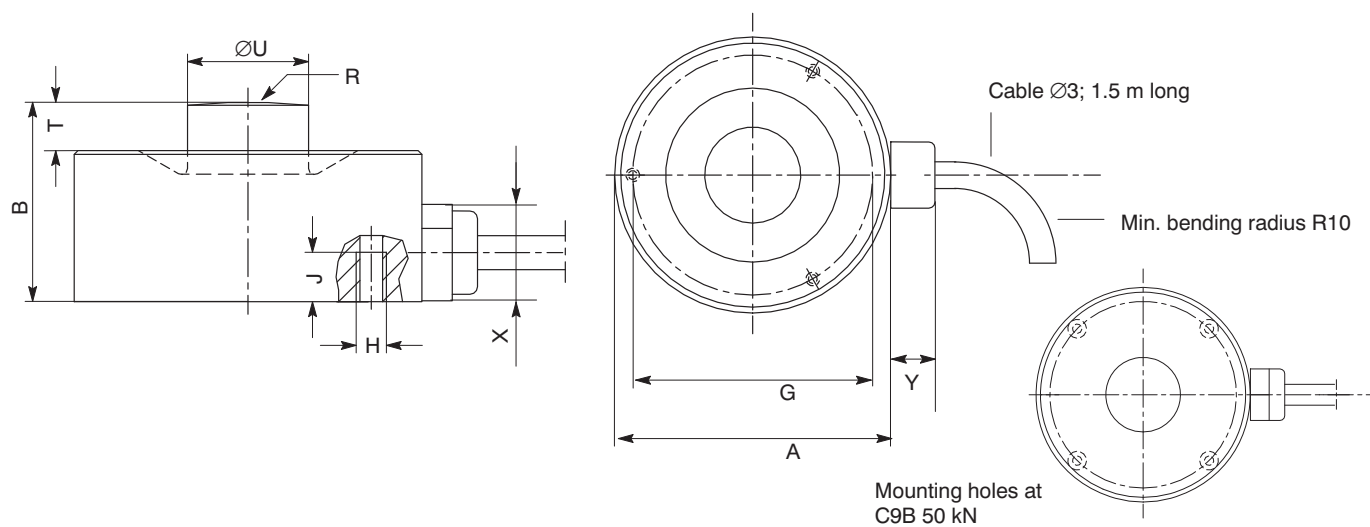
## Force Transducers



### Special features

- Compression force transducers in non-rusting material
- Nominal (rated) forces 50 N ... 50 kN
- Small size
- Accuracy class 0.5

Dimensions (in mm; 1 mm= 0.03937 inches)



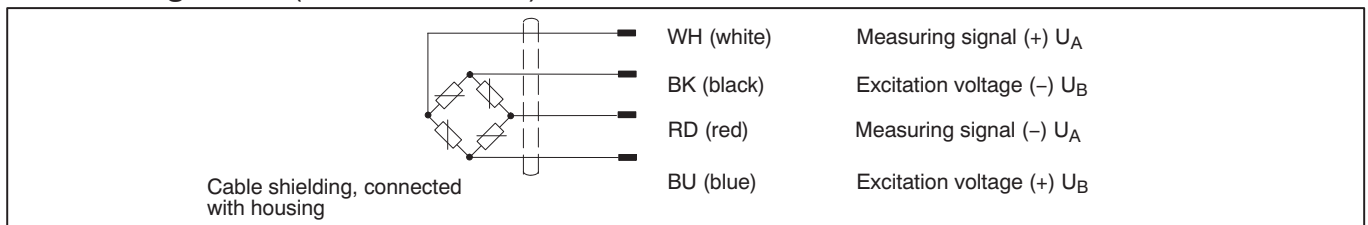
Nominal (rated) force C9B	A <sub>-0.1</sub>	B	G <sub>±0.1</sub>	H	J	R	T	U <sub>-0.1</sub>	X	Y
50 N – 200N	26	15	20.5	3xM3	6	20	2.5	5.5	approx..10.5	approx..5.5
0.5 kN...20 kN	26	13	22.75	3xM2	3.5	40	1	8	approx. 10.5	approx. 5.5
50 kN	46	28	40	4xM4	6	80	8	16	approx. 10.5	approx. 5.5

# Specifications

Type			C9B										
Nominal (rated) force	N		50	100	200								
	kN					0.5	1	2	5	10	20	50	
Accuracy class			0.5										
Nominal (rated) sensitivity	C <sub>nom</sub>	mV/V	1										
Rel. sensitivity deviation	d <sub>c</sub>	%	≤ 1										
Temperature effect on the sensitivity, per 10 K in the nominal (rated) temperature range	TK <sub>C</sub>	%	≤ ± 0.5										
		%	≤ ± 0.8										
Temperature effect on the zero signal, per 10 K in the nominal (rated) temperature range	TK <sub>0</sub>	%	≤ ± 0.5										
		%	≤ ± 0.8										
Zero signal tolerance	d <sub>s,0</sub>	mV/V	± 0.075					± 0.2					
Linearity			≤ ± 0.5										
Rel. reversibility error	U	%	≤ ± 0.5										
Rel. repeatability error without rotation			≤ ± 0.5										
Creep at nominal (rated) force and reference temperature over 30 min	d <sub>crF+E</sub>	%	≤ ± 0.2										
Input resistance	R <sub>e</sub>	Ω	> 345					300 – 400					
Output resistance	R <sub>a</sub>	Ω	300–400					< 350					
Insulation resistance	R <sub>IS</sub>	GΩ	> 1x10 <sup>9</sup>										
Service range of supply voltage	B <sub>U,G</sub>	V	0.5...12										
Reference supply voltage	U <sub>ref</sub>	V	5										
Reference temperature	t <sub>ref</sub>	°C [°F]	+23 [+73]										
Nominal (rated) temperature range	B <sub>t,nom</sub>	°C [°F]	-10...+70 [+14...+158]										
Service temperature range	B <sub>t,G</sub>	°C [°F]	-30...+85 [-22...+185]										
Storage temperature range	B <sub>t,S</sub>	°C [°F]	-30...+85 [-22...+185]										
Protection to DIN EN 60 529			IP 67										
Nominal (rated) measurement displacement ± 15 %	S <sub>nom</sub>	mm	< 0.1				0.04	0.06	0.09	0.11	0.13		
Natural frequency ± 15 %		kHz	7.3	10	15.7	3.5	5	7	13	15.1	20	12	
Working force	(F <sub>G</sub> )	%	200					120					
Breaking force	(F <sub>B</sub> )	%	> 400										
Relative static side-force limit *)	(F <sub>Q</sub> )	%	100					40					
Permissible vibration amplitude to DIN 50 100		%	70									40	
Weight, approx.		g	55					65					260
Cable length		m	1.5										

\*) referred to the 2 mm force introduction point above diaphragm

## Cable assignment (Four wire-circuit)



### Regional Distributor



803, Riqqa Palace Building  
Al-Maktum Ave.  
P.O.Box 181802 Dubai, UAE  
Tel: +9714 - 2270081  
Fax: +9714 - 2239962  
E-mail: rcsco@eim.ae  
www.rcs-co.com

### Hottinger Baldwin Messtechnik GmbH

Im Tiefen See 45, D-64293 Darmstadt, Germany  
Tel.: +49 6151 8030; Fax: +49 6151 803 9100  
E-mail: support@hbm.com www.hbm.com



measurement with confidence